



SEGWAY

SEGWAY TECHNOLOGY CO., LTD.

powersports.segway.com



Vision : 20210716
U09L01000002



**MADE
FOR MORE**



FUGLEMAN

OWNER'S MANUAL

SGW1000F-U2

Read this manual carefully, it contains important safety information
Minimum recommended operator age: 16

WELCOME

Thank you for buying this Segway. Segway Powersports on-road vehicles will bring you a new driving experience.

For your driving safety, read this manual before riding. This manual contains a large number of safety instructions, operation instructions, maintenance instructions and safety warnings.

Reading of this manual will help you quickly understand the vehicle and help you with safe driving practices.

Periodic maintenance procedures are included in this manual and should be performed regularly to keep your vehicle running safely.

IMPORTANT NOTICE

This vehicle is designed and manufactured for on-road use and complies with all applicable on-road noise, vibration and emission regulations.

Before driving the vehicle, please understand the local laws and regulations, choose the allowed road for driving and, abide by the local traffic regulations.

This manual is applicable to the Fugleman fuel series and describes all equipment including optional components. Therefore, some of the optional equipment described in the manual may be not installed on your vehicle.

Bluetooth® is a registered trademark of Bluetooth Sig, Inc. QR Codes® is a registered trademark of DENSO WAVE INCORPORATED. Unless noted, trademarks are the property of Segway Powersports Inc.

Copyright 2020 Segway Powersports Inc. All information contained within this publication is based on the latest product information at the time of publication. Due to constant improvements in the design and quality of production components, some minor discrepancies may result between the actual vehicle and the information presented in this publication. Depictions and/or procedures in this publication are intended for reference use only. No liability can be accepted for omissions or inaccuracies. Any reprinting or reuse of the depictions and/or procedures contained within, whether whole or in part, is expressly prohibited.

If your vehicle needs any service and repair matters, please contact your dealer to provide service.

Visit <http://powersports.segway.com> for a list of dealers and service locations.



TABLE OF CONTENTS

SAFETY INTRODUCTION	1
VEHICLE DEVICE	24
OPERATION	65
MAINTENANCE, STORAGE AND TRANSPORTATION	92
SPECIFICATIONS	158
TROUBLESHOOTING	166
EMISSION CONTROL SYSTEM	175
WARRANTY	179

INTRODUCTION

BEFORE YOU RIDE

This SEGWAY vehicle is an on-road vehicle. Familiarize yourself with all laws and regulations concerning the operation of this vehicle in your area.


WARNING


Failure to adhere the warnings and safety precautions contained in this manual will result in severe injury or death. Your SEGWAY vehicle is not toy and it can be hazardous to operate. This vehicle handles differently than cars, trucks or on-road vehicles. A collision or rollover can occur quickly, even during routine maneuvers like turning, driving on hills or over obstacles if you fail to take proper precautions.

- Read the owner's manual that came with your vehicle.
- Understand all safety warnings, precautions and operating procedures before operating the vehicle.
- Keep this manual with the vehicle.
- Never operate this vehicle without proper instruction.
- Take an authorized training course. See the Safety Training section for more information.
- This vehicle is an **ADULT VEHICLE ONLY**. You **MUST** be at least age 16 and have a valid driver's license to operate this vehicle.
- Always keep hands, feet and all other body parts inside the vehicle at all times.

- Always wear a helmet, eye protection, gloves, long-sleeve shirt, long pants and over-the-ankle boots.
- Never operate this vehicle under the influence of drugs or alcohol, as these conditions impair judgement and reduce the operator's ability to react.
- Complete the new operator driving procedures outlined this manual. Never allow a guest to operate this vehicle until the guest has completed the new operator driving procedures.
- Never permit a guest to operate this vehicle unless the guest has completed a safety training, reviewed the owner's manual and all safety labels.



The meaning of these signs:

 WARNING
WARNING indicates a hazardous situation which, if not avoided, could result in death or serious injury.

 CAUTION
CAUTION, used with the safety alert symbol, indicates a hazardous situation which, if not avoided, could result in minor or moderate injury.

NOTICE
NOTICE is used to address practices not related to personal injury.

IMPORTANT
IMPORTANT provides key reminders during disassembly, assembly, and inspection of components.

<p>The Prohibition Safety Sign indicates an action NOT to take in order to avoid a hazard.</p> 	<p>The Mandatory Action Sign indicates an action that NEEDS to be taken to avoid a hazard.</p> 
--	--



SAFETY INTRODUCTION

WARNING LABELS	3
SEVERE INJURY OR DEATH	8
IMPORTANT SAFETY INFORMATION	11
Reading the manual	11
Safe driving age.....	12
Riding equipment.....	13
Using alcohol or drugs.....	15
Vehicle modification	16
Passengers	17
Contact with exhaust.....	18
Seat Belts.....	19
Loading on the vehicle	20
No Passengers in the cargo box.....	21
Operating on Pavement	21
Operating on Public Roads.....	21
Operating at Excessive Speed.....	22
Turning Improperly	22
Jumps and Stunts	22
Improper Hill Climbing.....	22
Descending Hills Improperly.....	23
Crossing Hillsides.....	23
Fuel safety.....	23

SAFETY INTRODUCTION

SEGWAY

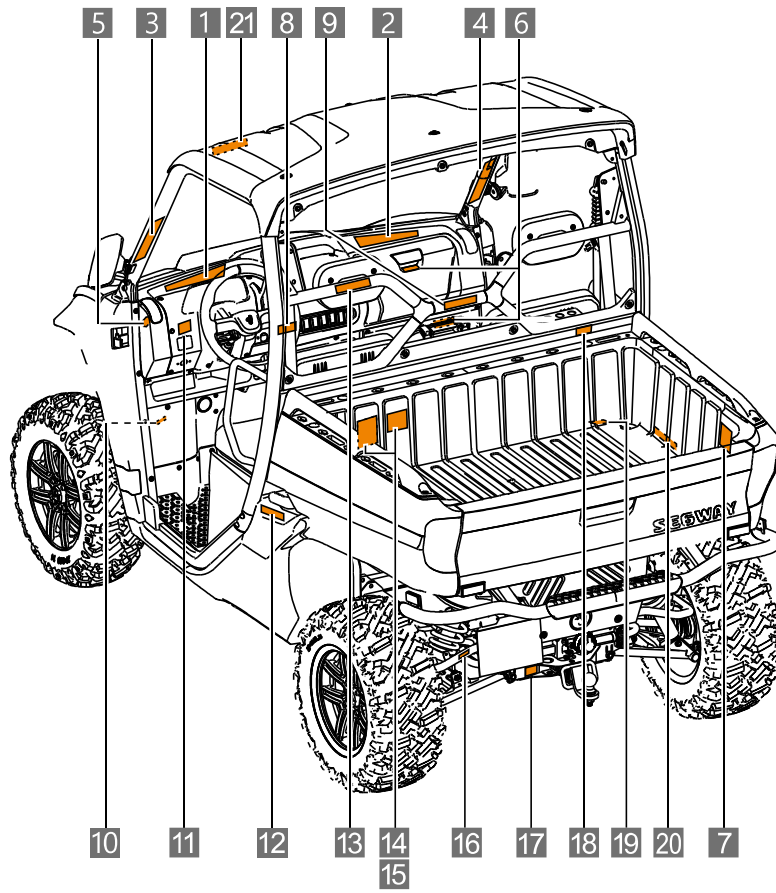
Failure to follow the warnings and safety precautions in this manual may result in serious injury or death. It can be dangerous to operate an on-road vehicle and is driven differently from other vehicles, such as motorcycles and automobiles. If proper precautions are not taken, a collision or rolled-over may occur during normal maneuvers such as turning, climbing, or overcoming obstacles. Understand all safety warnings, precautions and operating procedures before operating the vehicle. Bring this manual with you.

WARNING LABELS

Warning labels have been placed on the vehicle for your protection. Read and follow the instructions on the labels carefully. If any of the labels depicted in this manual differ from the labels on your vehicle, always read and follow the instructions on the vehicle. If any label becomes illegible or comes off, contact Segway Powersports to obtain a replacement.

SAFETY INTRODUCTION

SEGWAY



SAFETY INTRODUCTION


SEGWAY

8

⚠ WARNING

Parking:
Pull the parking brake outwards forcefully to park the vehicle.

Parking release:
Hold the parking brake handle and press the parking button, turn it clockwise and push the parking handle inward to the end, the parking brake is released, and the vehicle can be pushed at this time.



U09L10016001

9

⚠ WARNING

NEVER Attach to the cab frame to pull a load. This can cause the vehicle to tip over. Use only the trailer hitch or recovery hook to pull a load.



U09L10011001

10

⚠   x 12
U09L10030001

11

⚠ WARNING

Turning the off road vehicle in 4WD-LOCK ("DIFF.LOCK") takes more effort. Operate at a slow speed and allow extra time and distance for maneuvers to avoid loss of control.

U09L10003001

12

⚠ WARNING



- Keep hands, body, other persons away when closing bed.
- Do not operate the vehicle with bed up.

U09L10013001

13


SEGWAY Technology Co., Ltd. certifies that this ROV complies with the American National Standard for Recreational Off-Highway Vehicles, ANSI / ROHVA 1 - 2016 Standard.

This roll over protective structure meets the performance requirements of (EU) No 1322/2014 Annex VIII.

U09L10005001

14

⚠ WARNING



- Never carry passengers in cargo box.
- Passengers can be thrown off. This can cause serious injury or death.
- If total payload is greater than 227kg (500 lbs), the vehicle must be operated in LOW range.

IMPROPER TIRE PRESSURE OR OVERLOADING CAN CAUSE LOSS OF CONTROL. LOSS OF CONTROL CAN RESULT IN SEVERE INJURY OR DEATH.

- Reduce speed and allow greater distance for braking when carrying cargo.
- Overloading or carrying tall, off-center, or unsecured loads will increase your risk of losing control. Loads should be centered and carried as low as possible in box.
- For stability on rough or hilly terrain, reduce speed and cargo.

U09L10008004

15


⚠ WARNING

Improper tire pressure or overloading can cause loss of control. Loss of control can result in severe injury or death.

- Cold tire pressure:
Front: **15.0 psi (103 kPa)**
Rear: **16.0 psi (110 kPa)**
- **MAXIMUM WEIGHT CAPACITY: 680 kg. (1500 lbs)**
- **MAXIMUM CARGO BOX LOAD: 350 kg. (770 lbs)**

U09L10010004

16



U09L10032001

18

⚠ WARNING

Air Filter Inlet Grill. **DO NOT COVER!**



U09L10012001

17

⚠ WARNING

Improperly loading a trailer may cause loss of control. Evenly balance the load.

- Maximum unbraked towing mass **400 kg (882 lb)**
- Maximum unbraked tongue mass **110 kg (242 lb)**
- Maximum inertiabraded towing mass **700 kg (1543 lb)**
- Maximum inertiabraded tongue mass **110 kg (242 lb)**

U09L10015004

19

CAUTION

The air filter must be maintained in accordance with the requirements of the Segway (Owner's Manual), otherwise it may seriously damage your engine.

U09L10032001

20

⚠ WARNING



- Keep hands, body, other persons away when closing bed.
- Do not operate the vehicle with bed up.

U09L10014001

21

EMERGENCY EXIT



U09L10002004

SEVERE INJURY OR DEATH**Can result if you do not follow these instructions:**

- The minimum recommended driving age for this vehicle is 16 years.
- Never operate this vehicle without wearing an approved motorcycle helmet that fits properly.
- Wear eye protection (goggle or a face shield), gloves, over-the-ankle boots, long-sleeved shirt or jacket, and long pants.
- Never consume alcohol or drugs before or while operating this vehicle.
- Never attempt jumps or other stunts.
- Never operate at speeds too fast for your skills or the conditions. Always go at a speed that is proper for the terrain, visibility, operating conditions, and your experience.
- Always inspect your vehicle each time you use it to be sure it is in safe operating condition.
- Never operate on excessively rough, slippery, or loose terrain until you have learned and practiced the skills necessary to control the vehicle on such terrain. Always be cautious on these kinds of terrain.
- Always follow the inspection and maintenance procedures as well as the schedules described in this manual.
- Never operate on hills that are slippery or ones where you will not be able to see safely far enough ahead of you. Never go over the top of a hill at speed if you cannot see what is on other side.
- Always keep both hands, arms, feet, and legs inside the vehicle at all times during operation. Keep your feet on the floorboard. Never hold onto the enclosure, otherwise, you

could be injured.

- Always keep both hands on the steering wheel when driving.
- Always go slowly and be careful when operating on unfamiliar terrain. Always be alert to changing terrain conditions when driving the vehicle.
- Never wrap your thumbs and fingers around the steering wheel. This is particularly important when driving in rough terrain. The front wheels will move right and left as they respond to the terrain, and this movement will be felt in the steering wheel. A sudden jolt could wrench the steering wheel around, and your thumbs or fingers could be injured if they are in the way of the steering wheel spokes.
- Never turn at excessive speed. Practice turning at slow speeds before attempting to turn at faster speeds. Do not attempt turns on steep inclines.
- Always follow proper procedures for going uphill. If you lose control and cannot continue up a hill, back down the hill with the engine in reverse gear. Use engine braking to help you go slowly. If necessary, use the brakes gradually to help you go slowly.
- Never operate the vehicle on hills that are too steep. Go straight up and down hills where possible.
- Never operate the vehicle in fast flowing water or water deeper than the floorboards on this model. Remember that wet brakes may have reduced stopping ability. Test your brakes after leaving water. If necessary, apply the brake several times to let friction dry out the linings.
- Always be sure there are no obstacles or people are behind you when you operate in reverse. When it is safe to proceed in reverse, go slowly.
- Always check terrain before going down hills. Go as slowly as possible. Never go down a hill at high speed.

SAFETY INTRODUCTION

SEGWAY

- Always check for obstacles before operating in a new area.
- Do not brake abruptly when carrying loads in the cargo bed.
- Always use the size and type of tires specified in this manual.
- Always maintain proper tire pressure as described in this manual.
- Never exceed the stated cargo load capacity. Cargo should be as far forward in the bed as possible, and distributed evenly from side to side. Be sure cargo is secured so that it cannot move around during operation. Reduce your speed and follow the instructions in this manual for carrying cargo or pulling a trailer. Allow a greater distance for braking.
- Brake discs can be over heated after continuous braking. Allow brake disc to cool before servicing.
- Avoid the risks related to contact with hot surfaces, including residual risks such as filling oil or coolant in hot engines or transmissions.
- Exhaust system components are very hot during and after use of the vehicle. Hot components can cause burns and fire. Do not touch hot exhaust system components. Always keep combustible materials away from the exhaust system.
- Use caution when traveling through tall grass, especially dry grass. Always inspect the underside of the vehicle and areas near the exhaust system after driving through tall grass, weeds, brush, and other tall ground cover. Promptly remove any grass or debris clinging to the vehicle.

IMPORTANT SAFETY INFORMATION

Reading the manual

 **WARNING**

Driving an vehicle improperly increases the risk of accidents. The driver must know how to drive the vehicle correctly in different situations and on different terrain.

Before driving the vehicle, all drivers must complete the required driving safety training. Please ensure that each driver has read this manual and all product warning labels and has passed the safety training course. Otherwise, the vehicle will not be allowed to drive.



Safe driving age**⚠ WARNING**

The minimum recommended driving age for this vehicle is 16 years. Children under the age of 16 must not drive this vehicle. Not to drive the vehicle without proper driving training. Training courses are required. Please ensure that each driver has read this manual and all product labels and has completed a safety training course.



Riding equipment

 **WARNING**

For your safety, we strongly recommend that you always wear an approved motorcycle, eye protection, boots, gloves, long pants, and a long-sleeved shirt or jacket whenever you ride.

Although complete protection is not possible, wearing proper gear can reduce the chance of injury when you ride.

Helmet

Wearing a helmet can prevent head injuries. At all times, you must wear a helmet that meets basic safety standards when driving. Both U.S. and Canadian qualified helmets bear a U. S. Department of Transportation label. ECE 22.05 marks are available in Europe, Asia and Oceania. The ECE mark consists of a circle around the letter E, followed by the approved area codes for different countries. The approval number and serial number are also displayed in the label.

Additional Riding Gear

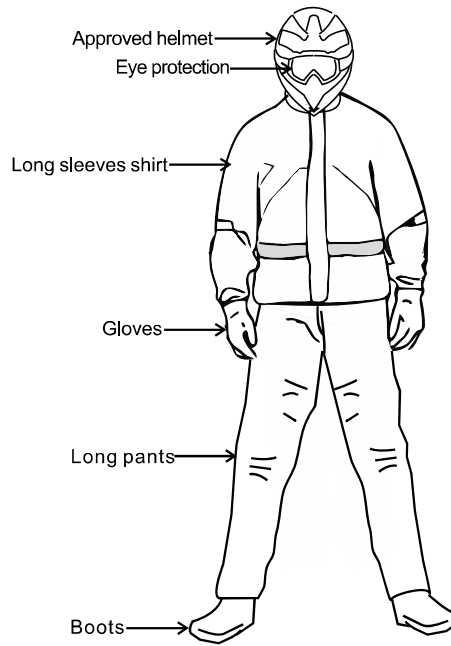
Sturdy on-road motorcycle boots to help protect your feet, ankles, and lower legs.

On-road motorcycle gloves to help protect your hands.

It is recommended to wear riding pants with knee and hip pads, a riding jersey with padded elbows and, a chest/shoulder protector.

⚠ WARNING

Driving vehicle after drinking or taking drugs may adversely affect a driver's judgment, reaction time, balance, and feelings. Do not drink alcohol or take drugs before or during driving.



Using alcohol or drugs

⚠ WARNING

Operating this vehicle after consuming alcohol or drugs could adversely affect operator judgment, reaction time, balance and perception.

Never consume alcohol or drugs before or while operating this vehicle.



Vehicle modification**⚠ WARNING**

We strongly recommend that consumers do not attempt to increase vehicle speed or use any equipment that increases the power of the vehicle. If any equipment is added to the vehicle, or if any modifications are made to the vehicle to increase the vehicle speed or power, the all-terrain vehicle warranty is terminated. The addition of certain parts may change the handling of the vehicle, including (but not limited to) mowers, sledges, tires, sprayers, or large luggage racks.



Passengers

 **WARNING**

Do not carry passengers unless you have operated the vehicle for at least two hours and have completed the new operator driving instructions outlined on page 69. Passengers must always sit in the passenger seat with the seat belt secured. Carrying more than one passenger in a two-seater vehicle affects the operator's ability to operate and operate control, increasing the risk of loss of control and accidents or rollovers.



Contact with exhaust**⚠ WARNING**

Engine exhaust is toxic and can cause loss of consciousness or death in a short time. Do not start or run a motor in a closed space. The engine exhaust of this product contains chemicals that cause cancer, birth defects or other reproductive damage, and you can only drive it outside the room or in a well-ventilated place.



Seat Belts

Riding in this vehicle without wearing the seat belt may increase the risk of serious injury in the event of rollover, loss of control, other accidents, or sudden stop. Seat belts may reduce the severity of injury in these circumstances. The operator must wear the seat belt at all times.



Loading on the vehicle

The weight of cargo and passengers affects the running and stability of the vehicle. For your own safety and the safety of others, think carefully about how to safely operate the vehicle when loaded with passengers and cargo. Follow the instructions in this manual for loading, tire pressure, gear selection and speed.

- The maximum weight capacity of the vehicle is listed in the instruction section of this manual and on the vehicle label. As more passenger weight is added, the cargo weight may need to be reduced accordingly. Do not exceed the vehicle's weight capacity.
- Recommended tire pressures are listed in the instruction section of this manual and on the vehicle label.

Always follow the following guidelines:

Under these conditions:	Do all of these steps:
Operator and/or cargo exceeding half of the maximum weight capacity	1. Slow down. 2. Verify tire pressure. 3. Use extra caution when operating
Operating in rough terrain	
Operating over obstacles	
Climbing	
Traction	

No Passengers in the cargo box

Passengers in the cargo box may cause the vehicle fall over or collide, which may cause injury or more serious accidents. Never let passengers in the cargo box when operating the vehicle. Passengers must be seated in passenger seats with fixed seat belts.



Operating on Pavement

The vehicle's tires are designed for on-road use only, not for use on pavement. Operating this vehicle on paved roads (including sidewalks, paths, parking lots and driveways) may adversely affect the handling of the vehicle and may increase the risk of loss of control and accidents or rollovers. Avoid operating the vehicle on pavement. If it's unavoidable, drive slowly and avoid sudden turns or stops.

Operating on Public Roads

Operating this vehicle on public streets, highways or highway could result in a collision with another vehicle.

Operating at Excessive Speed

Operating this vehicle at excessive speeds increases the operator's risk of losing control. Always operate at a speed that's appropriate for terrain, the visibility, operating conditions and your skills and experience.

Turning Improperly

Turning improperly could cause loss of traction, loss of control, accidents or rollover. Always follow proper procedures for turning as described in this owner's manual.

Avoid sharp turns. Never turn while applying heavy throttle. Never make abrupt steering maneuvers. Practice turning at slow speeds before attempting to turn at faster speed.

Jumps and Stunts

Exhibition driving increases the risk of an accident or rollover. DO NOT do power slides, "donuts", jumps or other driving stunts. Avoid exhibition driving.

Improper Hill Climbing

Improper hill climbing could cause loss of control or rollover. Use extra caution when operating on hills. Always follow proper procedures for hill climbing as described in this owner's manual. See page 74.

Descending Hills Improperly

Improper descending a hill could cause loss of control or rollover. Always follow proper procedures for traveling down hills as described in this owner's manual. See page 75.

Crossing Hillsides

Driving on a sidehill is not recommended. Improper operation could cause the loss of control or rollover. Avoid crossing the side of any hill unless absolutely necessary. If crossing a hillside is unavoidable, always follow proper procedures as described in this owner's manual. See page 76.

Fuel safety

Gasoline is very flammable under certain conditions

- You must be extremely careful when handling gasoline.
- When refueling, the engine must be shut off and must be done outdoors or in a well-ventilated area.
- No smoking, no open flames or sparks at or near the refueling or gasoline storage location.
- Do not overflow when refueling. Do not fill the tank to the filler neck.
- If gasoline gets on your skin or clothes, wash them with soap and water immediately and change clothes.



VEHICLE DEVICE

VEHICLE ACTIVATION	26
Vehicle unlocked	27
APP Function	28
PARTS AND CONTROL.....	29
FRONT PANEL.....	31
Ignition Lock/Start Button.....	31
Combination Switch	32
Toggle switch for Two-wheel drive or Four-wheel drive ..	34
Turn Signal Control Lever	36
Headlight Switch	37
Electronic power steering (EPS)	38
12V Socket	39
Seat.....	40
Driver seat adjustment	40
Driver seat removal/installation	41
Passenger Seat removal.....	42
Steering wheel adjustment	43
seat belt	44
Lifting and supporting the vehicle.....	46
Storage Box	47
Fuel tank cap	48
Gear Shift Selector	49
Brake pedal and accelerator pedal	50
Parking brake	52
Roll-Overprotective Structures(ROPS).....	53



VEHICLE DEVICE

INSTRUMENT PANEL.....	54
Instrument Indicator Light/Warning Light	55
Diagnostic displays code definitions	59

VEHICLE ACTIVATION

This vehicle is equipped with vehicle DTS system for you. DTS is used to communicate with background system and mobile APP, so as to obtain vehicle information and control vehicle with mobile APP. This is an optional system. In order to make you quickly familiar with and use the system, please read the user's manual carefully, understand the relevant operation and use information.

NOTICE

The new vehicle must be activated on the APP for the first time if equipped with vehicle DTS, otherwise the engine will not start.

IOS mobile phone search "**Segway powersports**" to download application from "APP STORE", Android mobile phone first download "Google play", and then search "**Segway powersports**" to download application in Google Play.

After the successful installation of the APP, the vehicle will be registered and activated. Firstly, find the VIN code on the vehicle and register on the APP. The registration procedure is as follows:

1. Power on the vehicle with the mechanical key.

Input or scan vehicle VIN code according to APP registration prompts, and step on the vehicle brake at the same time. Note: The vehicle identification code may not be scanned due to the influence of light. You can try to enter the VIN code manually. The vehicle VIN code is either on the vehicle frame (see Page 163) or on the vehicle nameplate (see Page 165).

2. Click the "**CONFIRM**" button to complete the vehicle binding operation.
3. Click "**START**" to start the vehicle.

Vehicle Unlocked

There are three ways to unlock a vehicle:

- 1. Mechanical key (preferred).**
- 2. APP remote unlock vehicle**

APP Remote Unlock is based on 4G network. As long as the area covered by the network, you can use the remote unlock function in the APP to unlock the vehicle.

- 3. APP Bluetooth unlock vehicle**

When both the vehicle and the mobile phone are on, within the effective connection distance of the Bluetooth signal, the vehicle Bluetooth module will automatically unlock the vehicle after acquiring the mobile phone Bluetooth signal, and automatically lock the vehicle when the mobile phone is far away.

NOTICE

After using the mechanical key to power down, the vehicle cannot be unlocked by induction to power up again. It needs to disconnect the reconnection and close the unlock to restart.

Mechanical key unlock is the optimal unlock method for vehicles. If you do not want to use the sensor unlock function, the sensor unlock setting can be turned off in the APP.

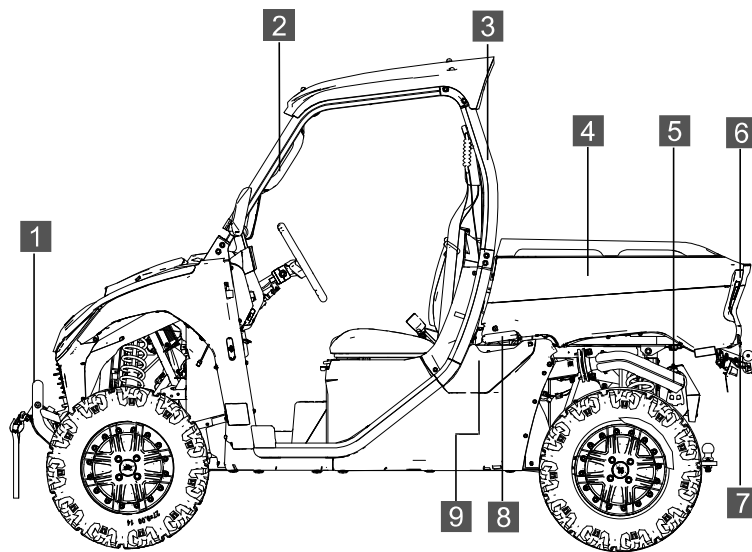
APP Function

This app is a program designed for users who have the Segway Powersports vehicle.

Main features: driving control analysis, vehicle data analysis...

Detail information see Segway Powersports APP User Manual.

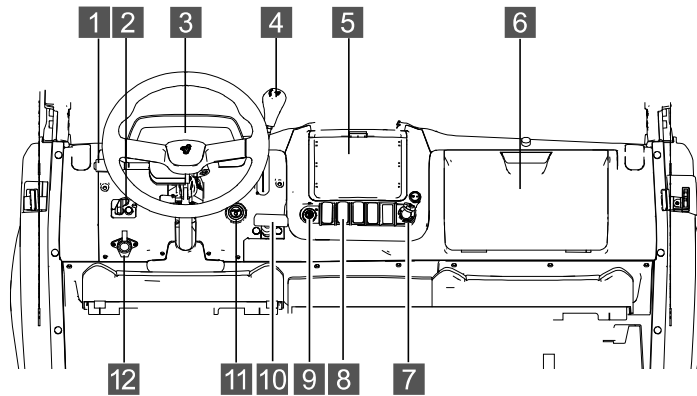
PARTS AND CONTROL



- | | | |
|-----------------------|--------------------------------|-------------------|
| 1 Front Bumper | 2 Handrails | 3 ROPS |
| 4 Cargo Box | 5 Muffler | 6 Tailgate |
| 7 Rear Bumper | 8 Cargo Box Flip Handle | 9 Fuel Cap |

VEHICLE DEVICE

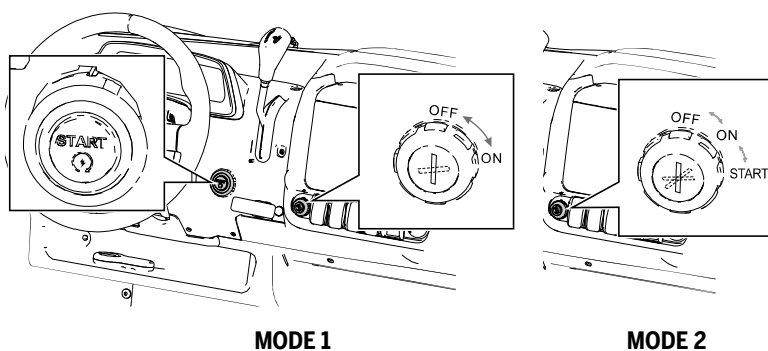
SEGWAY



- | | | |
|--------------------------------|------------------------|-----------------------------|
| 1 Light Switch | 2 AWD Switch | 3 Instrument Cluster |
| 4 Gear Shifter/Selector | 5 Storage Box | 6 Storage Box |
| 7 DC Socket | 8 Switch | 9 Ignition |
| 10 Parking Brake | 11 Start Button | 12 12 Volt Socket |

FRONT PANEL

Ignition Lock/Start Button



MODE 1:

Ignition Lock

Turn the key to the position "ON": the vehicle is energized and the electrical components of the vehicle can be used.

Turn the key to the position "OFF": the whole vehicle circuit is disconnected and the engine stops. When the switch is in the off position, the key can be taken out of the switch.

Start Switch

Turn the key to the ignition switch "ON" position, Press the Engine Start/Stop "⊙", press the start switch, and the vehicle will start.

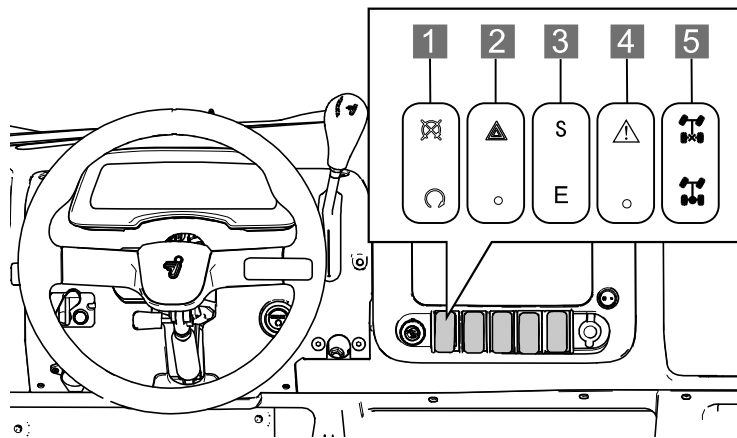
MODE 2:

Turn the key to the position "ON": the vehicle is energized and the electrical components of the vehicle can be used.

Turn the key to the "Start" position without loosening. Wait for 1.5 or 2 seconds before the engine starts(Do not exceed 4 seconds), and the key will automatically return to the "ON" position.

Turn the key to the position "OFF": the whole vehicle circuit is disconnected and the engine stops. When the switch is in the off position, the key can be taken out of the switch.

Switches



- 1** Emergency shutdown Switch **2** Emergency Switch **3** Mode Switch
- 4** Override Switch **5** Four-Wheel Drive Switch (if equipped)

Emergency shutdown Switch

- “” : Engine Stop
- “” : Engine Start

Vehicle launch (mode 1)

1. Depress the brake pedal when the gear is in "P" gear or "N" gear.
2. Press the Engine On Switch “”.
3. Turn the ignition key into "ON" position.
4. Press the "start" button for 1.5 seconds to 2 seconds, the engine start.

Vehicle launch (mode 2)

1. Depress the brake pedal when the gear is in "P" gear or "N" gear.
2. Press the Engine On Switch "ⓘ".
3. Turn the key to the "Start" position without loosening. Wait for 1.5 or 2 seconds before the engine starts (Do not exceed 4 seconds), engine start.

The vehicle stop

1. Put the shift lever in the "P" position and turn on the parking brake.
2. Press the flameout switch "⊗", and the engine will stop.

Emergency Switch

Use this switch when the vehicle is in an emergency. Press the switch to the "▲" position, the emergency light turns on, and the vehicle position light flashes, and press the switch to the "●" position to turn off the emergency light.

"▲": Emergency light on.

"●": Emergency light off.

Use this switch when the vehicle is in an emergency

- Temporary parking of vehicles
- The vehicle is malfunctioning.
- The vehicle encounters other emergencies.

Mode Switch**"S": Sport mode**


This mode can increase the RPM of engine, the vehicle power is stronger, the speed is faster, and the fuel consumption is more. It is recommended not to start in sport mode.

"E": Economic mode

Under the condition of ensuring the power of the vehicle, this mode can effectively allow the vehicle to save fuel, reduce fuel use

as much as possible, and enhance fuel economy.

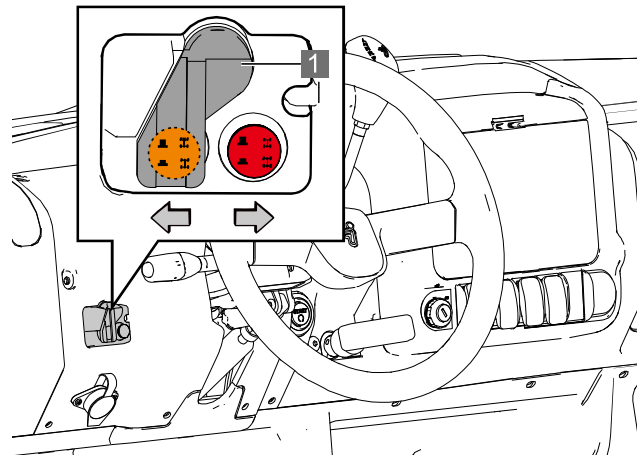
Override Switch

“ ”: Release the max speed limit of the vehicle in 4WD-LOCK MODE (30KM/h).

Four-Wheel Drive Switch (if equipped)

“ ” :Rear wheel differential lock

“ ” :4WD(Unlock)

Toggle switch for Two-wheel drive or Four-wheel drive


1 Handle switch

Red button pops up: 2WD mode


Red button pressed and Yellow button pressed: 4WD mode

Yellow button pops up: 4WD locking mode


2WD mode

When the 2WD mode, the whole vehicle is only driven by the rear wheel, and the front wheel has no power output. The meter shows the symbol "" for the second drive. This mode is suitable for vehicles driving on flat roads.

4WD mode

When the 4WD mode, the symbol "" of 4-wheel drive is displayed on the instrument. At this time, the instrument is in the state of 4-wheel drive, with power output of the front wheel and power output of the rear wheel. This mode is suitable for muddy conditions, mountainous conditions and other bad road conditions.

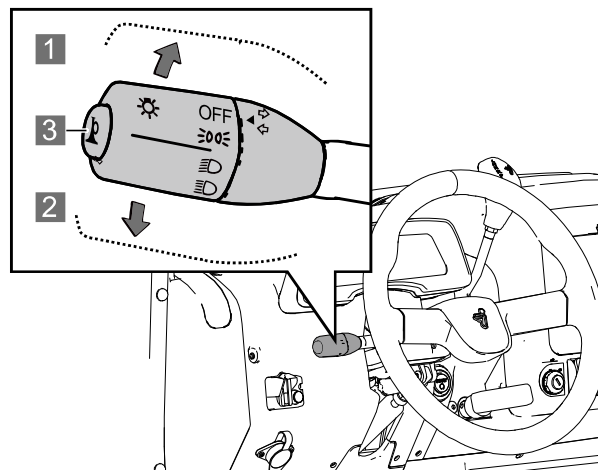
4WD locking mode

When the 4WD locking mode, the four-wheel drive lock symbol "" is displayed on the instrument. At this time, the four-wheel drive lock is working in the state of 4-wheel drive lock. The front wheel has power output, the rear wheel has power output, and the left and right tires of the rear wheel output the same speed and power. The vehicle will in speed limitation and speed cannot more than 30km/h, this mode is suitable for vehicle in troubles.

 **CAUTION**

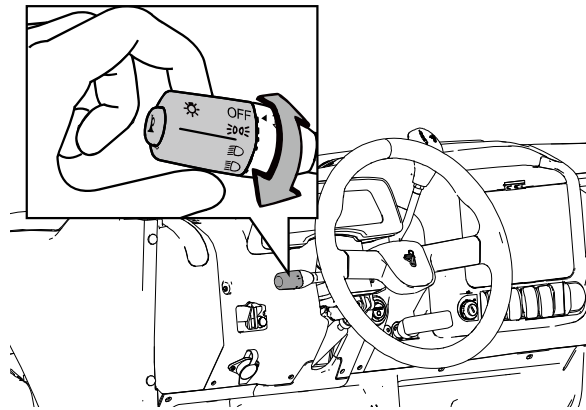
when switching to 4WD locking mode, more force is required to manipulate the direction during steering.

Combination Switch



- 1** Push the control lever up to turn on the right turn signal light, the right turn indicator flashes on the meter
- 2** Push the control lever down to turn on the left turn signal light, and the left turn indicator on the instrument flashes.
- 3** Horn switch

Headlight Switch



As shown in the picture above, turn the end of the lever to turn on the lights

“☰☐” : Front position lights, tail lights, license plate lights and dashboard lights are turned on.

“☰☐” : Turn the switch to this position, the headlights are placed on the low beam.

“☰☐” : Turn the switch to this position, the front light is placed on the high beam, and the high beam logo on the instrument lights up
“OFF” : Turn off the lights

“☐” : Horn switch

Electronic Power Steering (EPS)

When the engine is started, the electronic power steering device (if equipped) starts to work. When the key is turned to the "ON" position the EPS system is energized.

NOTICE

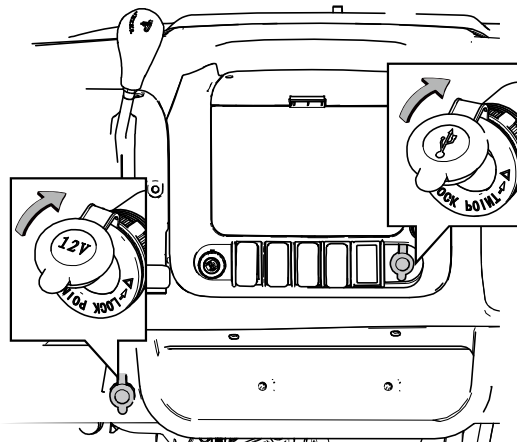
When the key is turned to the on position, the EPS warning indicator lights up briefly. Please refer to P59.

After the key switch is turned to the "OFF" position, the EPS system will be turned off.

If the EPS indicator light continues to light up after the engine is started, it means that the EPS system has failed. Please contact your Segway Powersports dealer.

12V Socket

The vehicle is equipped with two 12V sockets. Located in the middle of the front panel of the vehicle.



The power socket can be used for 12V accessories with a working current of less than 10A.

Output power: 120W

Top: USB interface

Bottom: DC interface

Open the lid

Conditions of use of power sockets:

When the ignition lock is in "ON" mode.

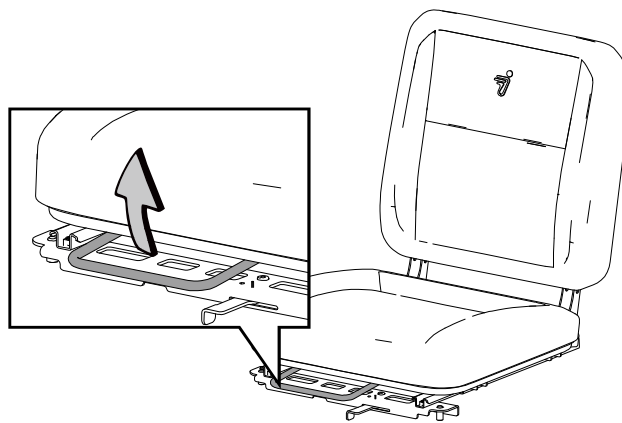
SEAT

The driver's seat can be adjusted forwards and backwards, before driving. Adjust the position of the seat so that the driver's back can touch the seat back, and the driver's feet can step on the brake pedal and accelerator pedal.

Driver seat adjustment

There is a U-shaped adjusting handle at the front end of the seat. Pull the U-shaped adjusting rod upward by hand

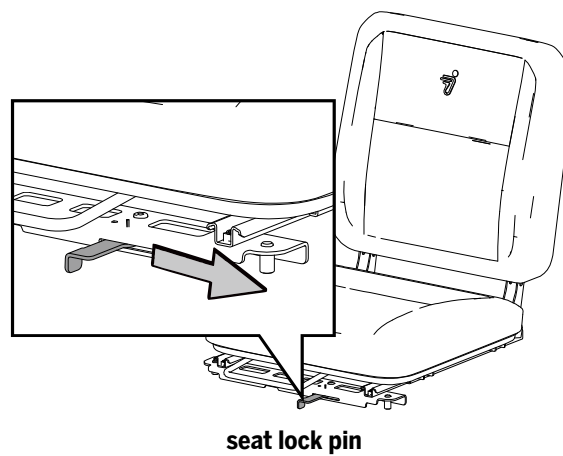
Keep sliding the seat forward or backward and slide the seat to the desired position. Release the handle. The seat will be locked in the new position.



Seat adjusting handle

Driver seat removal/installation

Driver seat removal



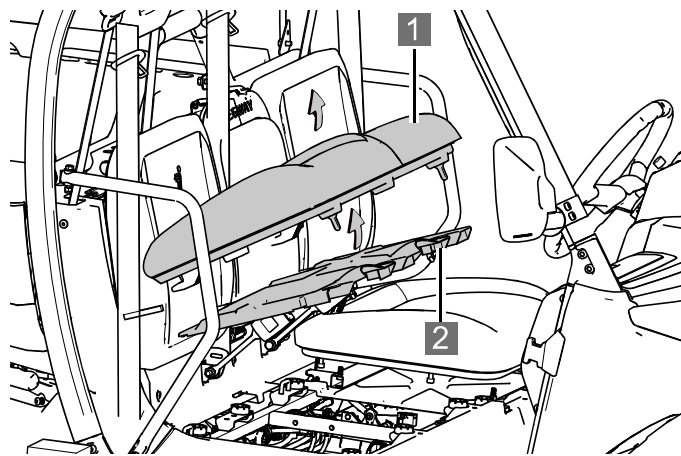
1. Move the seat lock pin to the outside.
2. Gently pull the seat forward, and pull out the cable connector under the seat.
3. Remove the seat from the vehicle.

Driver seat installation

1. Plug the cable connector under the seat.
2. Insert the two fixing pins behind the seat into the hooks.
3. Turn the seat to lock the lock pin of the seat and frame.

After installation, check whether the seat is installed in place to ensure the driver's safety.

Passenger Seat removal



1 Passenger seat **2 Passenger seat cover**

Lift the front end of the seat to remove the seat from the vehicle.

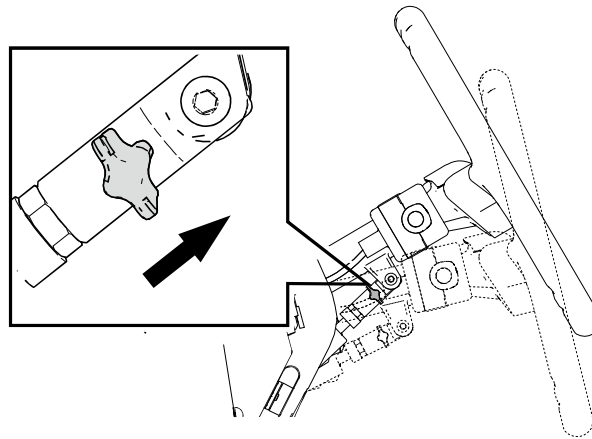
The seat cover is located under the passenger seat. After the passenger seat is removed, hold the seat cover with both hands

Move it upwards and remove the seat cover.

The battery and a storage compartment are located under the passenger seat.

Steering Wheel Adjustment

The steering wheel can be tilted up or down to meet the driver's driving preferences.



Steering wheel angle adjustment :

After raising the steering column adjustment lever toward the steering wheel, do not loosen it.

Move the steering wheel up or down to adjust to a suitable position, hold the steering wheel, and release the adjustment pole.

After adjusting the angle of the steering wheel, check whether the steering wheel is firm.

⚠ WARNING

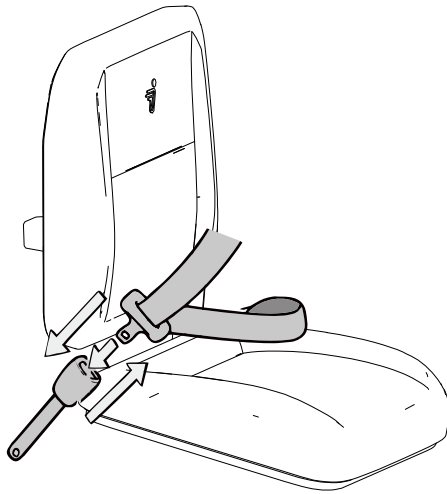
**Do not adjust the steering wheel while driving.
Otherwise, it may cause the driver to control errors and cause an accident, which may result in serious injury or death.**

Seat Belt

Fasten your seat belt as soon as you get in the vehicle. The seat belt can effectively protect the driver and the passenger.

In the event of an accident, the seat belt can reduce the risk of injuries. Fasten seat belts correctly:

- ◆ Stretch the shoulder buckle so that it covers the entire shoulder, but do not touch the neck or slipping off the shoulder.
- ◆ Place the waist buckle as low as possible across the hip.
- ◆ Sit up straight with your back against the seat.
- ◆ Do not twist the seat belt.



Insert the lock tab into the buckle until you hear a click to fasten the seat belt.

Press the release button to release the seat belt.

 CAUTION

Before each use, check all seat belts are working properly.

1. Push the latch plate into the buckle until it clicks.
2. Pull out each seat belt and check for any damage, including cutting, grinding

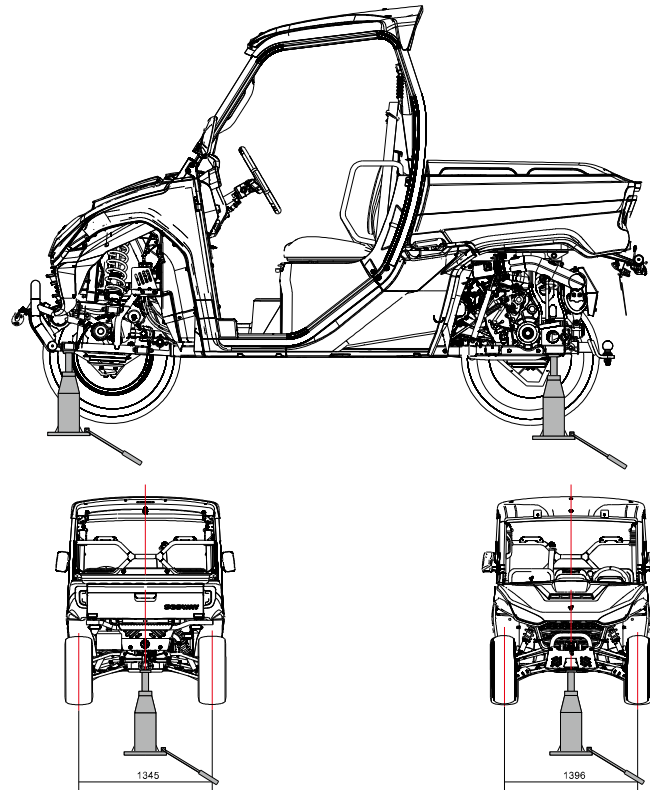
Damage, wear, or stiffness. If any damage is found, please contact a Segway Powersports dealer for replacement.

3. Clean the dirt or debris on the seat belt, wipe the belt with mild soap and water. Never use bleach, dyes or household detergents.

Lifting and supporting the vehicle

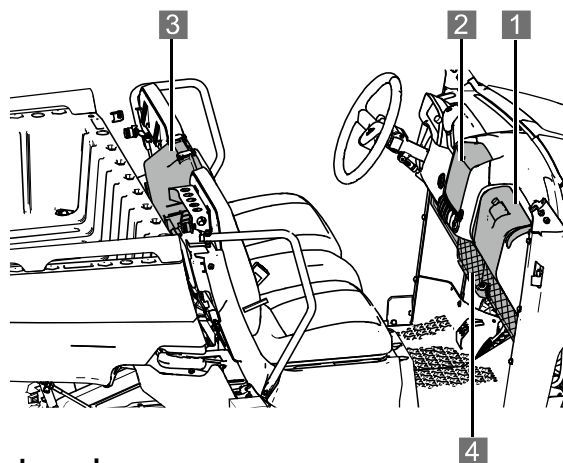
Place vehicle on a flat non slippery ground. Engage the 4WD mode. Ensure vehicle shift lever is set to PARK.

When lifting the front or rear of the vehicle, place the jack in the left and right center of the front or rear of the vehicle, as shown in the figure below:



Schematic diagram of jack support position

Storage Box



1 Front storage box

Tooling are placed in this box.

2 Middle storage box

3 Passenger backrest storage box

This box can be removed. Click the upper part of box and lift it out. Meanwhile, move upper left and right buckles of box to open this box.

4 Middle lower storage box

⚠ WARNING

Keep the storage box closed if you do not use it. Or, you will be possible to be hurt by the goods kept in the storage box or while you open it in emergency brake or turning, resulting in accident.

Fuel Tank Cap

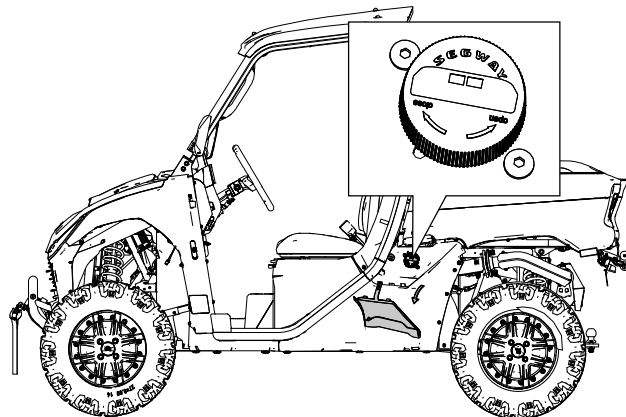
⚠ WARNING

Always gas up fuel type as per requirement.

Do not smoke while refueling or it may ignite the fuel and cause fire hazard.

Do not touch other people or stuff with static electricity or it may cause static electricity accumulation and ignite fuel.

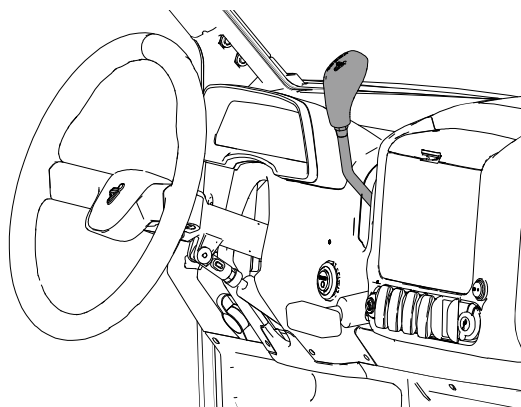
Do not overfill the fuel when you gas up.



1. Hold the cover and pull it out.
2. Turn out the cap in the direction of "OPEN" (see direction sign in the cap)
3. Refuel the vehicle (do not overfill)
4. Turn the cap in the direction of "CLOSE".

Gear Shift Selector

Different operation modes correspond to different gears. After selecting the gear, check the indicator light on the instrument panel to ensure that the gear has been switched to the desired position. See the table below for the tap position description:



L Low speed

H High speed

N Neutral

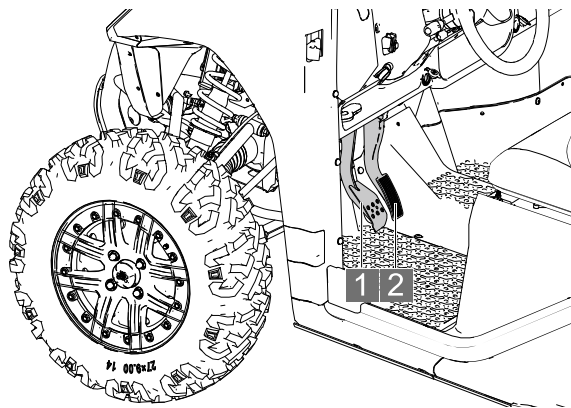
R Reverse

P Parking

CAUTION

**The transmission will be damaged when you change shift gear if the engine is running over the idle speed or in the driving process.
Put shift gear in P position and lock parking brake when the driver is out of the vehicle.**

Brake Pedal and Accelerator Pedal



1 Brake pedal

2 Accelerator pedal

Brake pedal

Step on brake pedal **1** to select gear, reduce speed, or stop the vehicle. Use this brake pedal when you start the engine.

If you want to reduce speed or stop the vehicle, step on the brake pedal with your right foot.

The brake pedal is spring load style. It will return to balance position if no force is on it.

Accelerator pedal

Step on accelerator pedal **2** downward to increase engine speed. If you want to increase speed or keep speed, use your right foot to hold the accelerator pedal.

If you want to decrease speed, loosen your accelerator pedal. The accelerator pedal is spring load style. It will return to balance position if no force is on it (idle speed).

When released, the spring pressure returns the pedal to the rest position. Before starting the engine

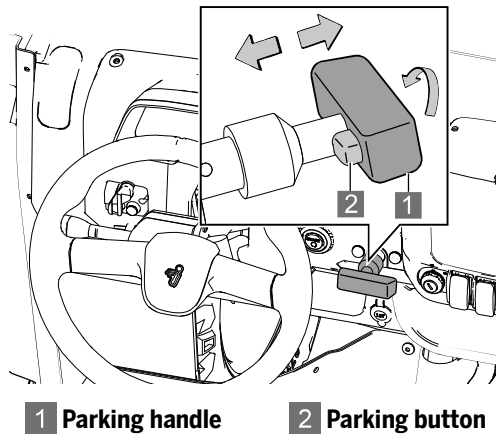
Before, be sure to check if the accelerator pedal returns normally

⚠ CAUTION

If the accelerator pedal and the brake pedal are applied at the same time, the engine power may be affected limit

Parking brake

Whenever a person leaves the vehicle, the parking brake must be turned on to put it in the parking system working status



Turn on the parking brake:

When parking the car, first park the car on a suitable road, step on the brake pedal to make the car stand still, and then hold the T-shaped parking handle with your hand and pull it up until your foot releases the brake. The vehicle is still in a reliable stationary state when pedaling, and the parking brake is turned on at this time.

Release the parking brake:

Press the lock button with your index finger, while holding the T-shaped handle, rotate it 90 degrees clockwise, and push the parking handle down to the bottom to release the parking.

⚠ CAUTION

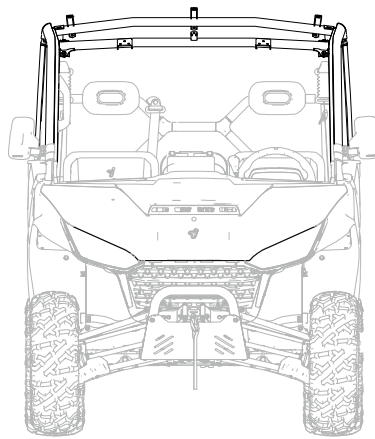
When the driver leaves the vehicle, the parking brake of the vehicle must be turned on

Roll-Overprotective Structures(ROPS)

The rollover protection device (ROPS) of the vehicle meets (EU) No 1322/2014 Annex VIII rollover performance.

If there is any damage to the vehicle's rollover protection device, please contact Segway Powersports.

The dealer thoroughly inspects the ROPS or replaces it.



Always follow all safe operating practices outlined in this manual to avoid vehicle rollover.



WARNING

Vehicle rollover could cause severe injury or death. Always avoid operating in a manner that could result in vehicle rollover.

INSTRUMENT PANEL

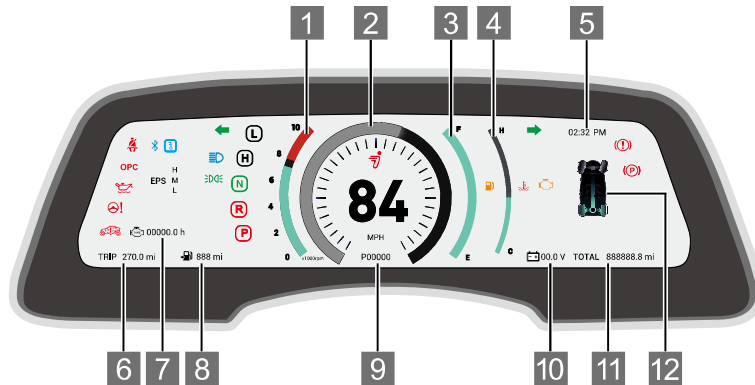
The instrument panel provides the operator with the vehicle information, and the driver should understand the meaning of the various indicators, warning lights and display content information on the instrument table, to understand the vehicle status.

NOTICE

The combination meter may be damaged by using a high-pressure cleaner. Do not clean the instrument with alcohol or corrosive detergent. Corrosive liquid will corrode the surface of the instrument and cause damage to the instrument.

Instrument Indicator Light/Warning Light

Indicator lights and warning lights on the instrument indicate the status of the vehicle's systems. The figure below shows all the lights and warning lights.



The ignition lock switch is set to “ON” mode, the indicator is switched on, and all warnings on the indicator, The light will be briefly lit for 1 second.

1 Engine Tachometer shows

Display the real-time RPM of the vehicle.

0→2→4→6→8→10(from low to high)

2 Speedometer

Display the real-time speed of the vehicle.

3 Gage

E: Fuel empty F: Fuel full

Shows the fuel level in the fuel tank. Activate the low fuel warning when the last section is cleared. All segments including the fuel icon will flash and refuel immediately.

4 Engine Water Temperature

thermometer shows the engine water temperature.

C: engine water temperature low

H: engine water temperature high

5 Time Display

After the vehicle is bound to the "Segway Powersports" APP, the time displayed on the dashboard will be automatically synchronized to the local time

6 Subtotal Mileage

The dashboard does not have the function of clearing subtotal mileage, please clear the subtotal mileage through "Segway Powersports" APP

7 Engine Running Time

Display engine running time

8 Dynamic Residual Mileage

Display the mileage that can be driven by the current remaining fuel

9 Fault Code Display

In case of partial failure of the vehicle, the fault code is displayed in this area. See page 59 for detailed description of the fault code.




10 Battery Voltage




Display the current voltage of the vehicle battery

11 Total Mileage







Display the total mileage accumulated by the vehicle

12 Four-Wheel Drive Full Differential Lock

 2 x 4 mode  4 x 4 mode  4x4 locking mode








With differential:  2 x 4 mode  4 x 4 mode  4x4 locking mode

Indicator light/warning indication

light	Instructions	status
	Safety Belt	This light reminds the operator to ensure that all riders wear helmets and safety belts before work. The driver's seat belt is equipped with a seat belt interlocking device. If the seat belt is not secured, the vehicle speed will be limited to 24 km/h
OPC	Off-Seat	When the driver leaves the seat and park break not applied, the OPC light will be on and the buzzer will sound.
	Oil Pressure	This light is on when oil pressure is too low.
	EPS System	Indicates a failure in EPS system (optional equipment, if equipped)
	Brake System	<ul style="list-style-type: none"> • Low brake fluid level • The braking system is faulty
	Parking Brake	This light is on after parking brake is applied.
	Engine Failure	This indicator appears if an EFI-related fault occurs. Do not operate the vehicle if this warning appears. Serious engine damage could result.

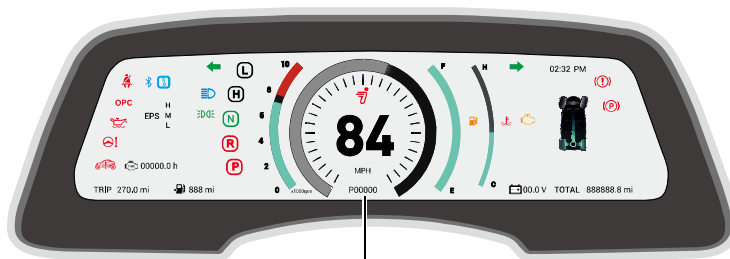
VEHICLE DEVICE

SEGWAY

	Coolant Temperature	Indicator light showing excessive temperature of engine coolant. When it lights up and alarms, the engine should be stopped immediately and shut down. After cooling down to normal temperature, the engine should continue to run.
	Left Turn	This light is lit when the left turn signal is turned on.
	High Beam	This lamp illuminates when the headlamp switch is set to high beam.
	Position light	The front light, tail light, license plate light and instrument panel light are on.
	Right turn indicator	This light is lit when the right turn signal is turned on.
	Power icon on Bluetooth	The icon will light on when the APP Bluetooth power is used.
	Remote Power on	When power on the vehicle, the APP in the mobile phone and the light will be on.
<div style="display: flex; flex-direction: column; align-items: center;"> H EPS M L </div>	EPS mode	<p>EPS mode was set in the APP and the preferred mode of the rider was selected:</p> <p>M -Normal mode, power normal</p> <p>H -Comfort mode, power light</p> <p>L -Motion mode, booster weight</p>

Diagnostic displays code definitions

This area displays the code information of electrical components, circuits issues of the vehicle in case of failure or abnormality, please contact your dealer for any abnormalities or problems with this type of vehicle.



1 Fault Code Display Area

System	Failure Code	Failure Description
ECU	P0108 17	Manifold Absolute Pressure/Barometric Pressure Circuit High
	P0107 16	Manifold Absolute Pressure/Barometric Pressure Circuit Low
	P010C 17	Mass or Volume Air Flow "B" Circuit Low
	P010D 16	Mass or Volume Air Flow "B" Circuit High
	P0113 17	Intake Air Temperature Sensor 1 Circuit High
	P0112 16	Intake Air Temperature Sensor 1 Circuit Low
	P0118 17	Engine Coolant Temperature Sensor 1 Circuit High
	P0117 16	Engine Coolant Temperature Sensor 1 Circuit Low
	P0650 11	MIL Control Circuit Low
	P0650 13	MIL Control Circuit Open
	P0692 12	Fan 1 Control Circuit High

VEHICLE DEVICE**SEGWAY**

ECU	P0691 11	Fan 1 Control Circuit Low
	P0480 13	Fan 1 Control Circuit
	P0629 12	Fuel Pump "A" Control Circuit High
	P0628 11	Fuel Pump "A" Control Circuit Low
	P0627 13	Fuel Pump "A" Control Circuit /Open
	P0459 12	Evaporative Emission System Purge Control Valve Circuit High
	P0458 11	Evaporative Emission System Purge Control Valve Circuit Low
	P0444 13	Evaporative Emission System Purge Control Valve Circuit Open
	P0412 12	Secondary Air Injection System Switching Valve "A" Circuit
	P0414 11	Secondary Air Injection System Switching Valve "A" Circuit Shorted
	P0413 13	Secondary Air Injection System Switching Valve "A" Circuit Open
	P0262 12	Cylinder 1 Injector Circuit High
	P0261 11	Cylinder 1 Injector Circuit Low
	P0201 13	Injector Circuit/Open – Cylinder 1
	P0265 12	Cylinder 2 Injector Circuit High
	P0264 11	Cylinder 2 Injector Circuit Low
	P0202 13	Injector Circuit/Open – Cylinder 2
	P0563 17	System Voltage High
	P0562 16	System Voltage Low
	P0560 1C	System Voltage Not plausible
	P0501 29	Vehicle Speed Sensor "A" Range/Performance
	P0641 00	Sensor Reference Voltage "A" Circuit/Open
	P0651 00	Sensor Reference Voltage "B" Circuit/Open
	P0571 29	Brake Switch "A" Circuit
	P0571 1C	Brake Switch "A" Circuit
	P0123 17	Throttle/Pedal Position Sensor/Switch "A" Circuit High

ECU	P0122 16	Throttle/Pedal Position Sensor/Switch "A" Circuit Low
	P0121 29	Throttle/Pedal Position Sensor/Switch "A" Circuit Range/Performance
	P0223 17	Throttle/Pedal Position Sensor/Switch "B" Circuit High
	P0222 16	Throttle/Pedal Position Sensor/Switch "B" Circuit Low
	P0221 29	Throttle/Pedal Position Sensor/Switch "B" Circuit Range/Performance
	P2106 12	Throttle Actuator Control System Forced Limited Power
	P2106 19	Throttle Actuator Control System Forced Limited Power
	P2106 92	Throttle Actuator Control System Forced Limited Power
	P2106 13	Throttle Actuator Control System Forced Limited Power
	P1568 00	Idle Speed Contr.Throttle Pos. mechanical Malfunction
	P1545 00	Throttle Pos.Contr. Malfunction
	P1545 22	Throttle Pos.Contr. Malfunction
	P1545 21	Throttle Pos.Contr. Malfunction
	P1565 00	Idle Speed Control Throttle Position lower limit not attained
	P2123 17	Throttle/Pedal Position Sensor/Switch "D" Circuit High
	P2122 16	Throttle/Pedal Position Sensor/Switch "D" Circuit Low
	P2138 29	Throttle/Pedal Position Sensor/Switch "D"/"E" Voltage Correlation
	P2128 17	Throttle/Pedal Position Sensor/Switch "E" Circuit High
	P2127 16	Throttle/Pedal Position Sensor/Switch "E" Circuit Low
	P0606 94	ECM/PCM Processor
	P0606 92	ECM/PCM Processor
	P2106 29	Throttle Actuator Control System Forced Limited Power
	P0606 64	ECM/PCM Processor
	P0606 61	ECM/PCM Processor
	P0606 67	ECM/PCM Processor
	P0606 1C	ECM/PCM Processor
P0606 55	ECM/PCM Processor	

ECU	P0606 00	ECM/PCM Processor
	P0606 62	ECM/PCM Processor
	P0606 96	Function monitoring: fault of ECU ADC - Null Load Test Pulse
	P0606 97	function monitoring: fault of ECU ADC - test voltage
	P0606 47	function monitoring: fault of ECU monitoring modul error
	P0606 17	Reported OverVoltage of VDD5
	P0606 16	Reported UnderVoltage of VDD5
	P0606 49	Diagnostic fault check to report "WDA active"
	P0606 48	Diagnostic fault check to report "WDA active" due to errors in query-/response communication
	P0606 91	Diagnostic fault check to report "WDA active" due to overvoltage detection
	P0032 12	O2 Sensor Heater Control Circuit High Bank 1 Sensor 1
	P0031 11	O2 Sensor Heater Control Circuit Low Bank 1 Sensor 1
	P0030 13	O2 Sensor Heater Control Circuit Bank 1 Sensor 1
	P0132 17	O2 Sensor Circuit High Voltage Bank 1 Sensor 1
	P0131 16	O2 Sensor Circuit Low Voltage Bank 1 Sensor 1
	P0130 29	O2 Sensor Circuit Bank 1 Sensor 1
	P0134 13	O2 Sensor Circuit No Activity Detected Bank 1 Sensor 1
	P0052 12	O2 Sensor Heater Control Circuit High Bank 2 Sensor 1
	P0051 11	O2 Sensor Heater Control Circuit Low Bank 2 Sensor 1
	P0050 13	O2 Sensor Heater Control Circuit Bank 2 Sensor 2
	P0152 17	O2 Sensor Circuit High Voltage Bank 2 Sensor 1
	P0151 16	O2 Sensor Circuit Low Voltage Bank 2 Sensor 1
	P0150 29	O2 Sensor Circuit Bank 2 Sensor 1
	P0154 13	O2 Sensor Circuit No Activity Detected Bank 2 Sensor 1
	U0073 88	Control Module Communication Bus Off
	U0140 87	Lost Communication With Body Control Module
	U0121 87	Lost Communication With Anti-Lock Brake System (ABS) Control Module

EPS	E0001	No midpoint of torque is written
	E0002	No end point of rotor angle is written
	E0003	Memory read write failure
	E0004	The main torque sensor is disconnected
	E0005	Abnormal output of main torque sensor
	E0006	The secondary torque sensor is disconnected
	E0007	Abnormal output of secondary torque sensor
	E0008	The difference between main and secondary torques is too large
	E0009	The difference between the main torque before and after amplification is too large
	E0010	Electrical machinery unassisted
	E0011	Over electric current
	E0012	Abnormal busbar electric current
	E0013	CAN communication abnormal (Output abnormally)
	E0014	Rotor Angle jump
	E0015	The rotor Angle sensor is disconnected
	E0016	Power module failure
	E0017	Abnormal A phase electric current
	E0018	Abnormal C phase electric current
	E0019	Steering wheel Angle small gear abnormal
	E0020	Steering wheel Angle middle gear abnormal
	E0021	Steering wheel Angle jumps
	E0022	Steering wheel Angle value exceeds limit
	E0023	The steering wheel Angle is not right
	E0024	Abnormal voltage at electrical machinery end

VEHICLE DEVICE

SEGWAY

T-BOX	T0001	GPS module failure
	T0002	4G module failure
	T0003	Bluetooth module failure
	T0004	Sensor failure
	T0005	Power CAN failure
	T0006	Body CAN failure
ABS	A0001	Left front wheel speed error signal
	A0002	Right front wheel speed error signal
	A0003	Left rear wheel speed error signal
	A0004	Right rear wheel speed error signal
	A0005	Voltage of ABS module is too high
	A0006	Voltage of ABS module is too low
	A0007	Vehicle speed single failure
	A0008	CAN single failure



OPERATION

BASIC DRIVING GUIDE	67
Trail Etiquette	67
Know your riding area/tread lightly	68
Vehicle Break-In Period.....	68
Brake System Break-In Period	68
Belt Break-In Period.....	68
New Operator Driving Procedures	69
Driving with Passengers	70
Starting the Vehicle	71
Park the Vehicle.....	71
Braking.....	71
Parking the vehicle.....	72
Driving on Slippery Surfaces.....	72
Driving through water	73
Driving in reverse.....	74
Driving over obstacles	74
Driving uphill.....	74
Driving downhill	75
Driving on a sidehill (sidehilling)	76
Parking on an incline	76
Parking the vehicle	76
Engine Break-In Guidelines	77
PRE-RIDE INSPECTION	78
HAULING CARGO	80
Belt life	82
Towing loads.....	82



OPERATION

Maximum loading capacity	83
Dumping the cargo box	83
Loading guidelines	84
Trailer	85
WINCH OPERATION.....	86
Winch Operation	90

This section provides basic operating instructions, including how to start and stop the vehicle, driving skills and precautions when driving on different roadways.

Even if you've ridden other on-road vehicles, you must take time to familiarize yourself with how the vehicle operates. Practice in flat and wide areas until you are familiar with this all-terrain vehicle.

**WARNING**

Failure to inspect and verify that the vehicle is in safe operating condition before operating increases the risk of an accident. Always perform the Pre -Ride Inspection outlined in the Operation chapter before each use of your

vehicle to make sure it's in safe operating condition. Always follow the inspection and maintenance procedures and schedules described in this owner's manual. See the Periodic Maintenance section of the Maintenance chapter.

BASIC DRIVING GUIDE

Trail Etiquette

Always practice good etiquette when riding. Allow a safe distance between your vehicle and other vehicles operating in the same area. Communicate to oncoming operators by signaling the number of vehicles in your group. When stopping, move your vehicle to the edge of the trail as far as possible to allow others to pass safely.

Know your riding area/tread lightly

Familiarize yourself with all laws and regulations concerning the operation of this vehicle in your area. Respect the environment in which you ride your vehicle.

Find out where the designated riding areas are by contacting your dealer, a local riding club, or local officials. Help keep our trails open for recreational vehicle use.

Vehicle Break-In Period

Your vehicle's break-in period is the first 25 hours of operation or the riding mileage which used first two full tanks of gas. Careful handling of new engine and drive components will improve the performance and service life of these components. Follow these steps carefully.

Brake System Break-In Period

In order to achieve the best braking performance, the brake must be not less than 200Km run-in when use.

Heavy or excessive braking when using the new braking system may damage the brake pad and disc.

Belt Break-In Period

Proper break-in of the clutch and driving belt will ensure longer service life and better performance. Run the break-in clutch and belt at low speeds for the recommended break-in time, only pulling light loads. Avoid violent acceleration and high speed running during break-in. If the belt is broken, be sure to clean up the intake and outlet pipeline and any debris from the clutch and engine compartment during belt replacement.

New Operator Driving Procedures

1. Before operating this vehicle, read and understand the owner's manual and all warning and instruction labels.
2. Perform a pre-ride check.
3. Do not carry goods during this period.
4. Do not carry passengers until you have driven the car for at least two hours.
5. Choose a suitable and open area to familiarize yourself with the operation of the vehicle.
6. Safety helmets, eye protection, gloves, long-sleeved shirts, trousers, ankle boots and safety belts must be worn at all times.
7. Sit in the driver's seat, fasten the seat belt, and put the transmission in the "P" position.
8. Depress the brake pedal and release the parking brake.
9. Start the engine.
10. Put the transmission in low gear.
11. Check your surroundings and determine your driving route.
12. Hold the steering wheel with both hands, slowly release the brake, depress the accelerator with your right foot, and start driving.
13. Drive slowly at first, and practice starting, stopping, turning, maneuvering, using the accelerator, brakes, and reversing on a flat ground. When learning how the vehicle operates, practice left and right turns at a slow speed.
14. When you make a turn proficiently and start to run at a faster speed, please observe the following precautions:


Avoid sharp turns

- **Don't turn when stepping on the accelerator.**
- **Don't swerve when driving the vehicle.**
- **Operate according to your skills conditions and terrain.**
- **Do not jump the vehicle or perform any other driving stunts.**

Driving with Passengers

1. Finish the overview of the new operator driver on the page 69.
2. Pre-ride check. Please refer to the page 78.
3. Don't carry more than one passenger in a two-seat vehicle. The additional passenger will affect the operator's ability to drive and control the vehicle.
4. All riders must be able to sit with their backs on the seat, with their feet flat on the floor, and their hands on the steering wheel (if driving) or on the passenger armrest/grab bar.
5. The driver and all passenger must wear helmets, eye protectors, gloves, long-sleeved shirts, trousers, ankle boots and seat belts. Please refer to the page 13.
6. Passenger can only sit in the passenger seat when driving.
7. Slow down. Always travel at a speed appropriate for your skills, your passengers' skills and operating conditions. Avoid unexpected or aggressive maneuvers that could cause discomfort or injury to a passenger.
8. Vehicle handling may change with passengers and/or cargo on board. Allow more time and distance for braking.

Starting the Vehicle

1. Depress the brake pedal when the gear is in "P" gear or "N" gear.
2. Turn the ignition key into " ON " position.
3. Press the flameout switch “”
4. Press the "start" button for 1.5 seconds to 2 seconds, the engine start

Before starting your vehicle, please wear the cycling equipment, that both passenger and passenger wear seat belts.

Park the Vehicle

1. Press the brake pedal and put the shifter in "P".
2. Turn the key to the " OFF " position (P. 31) and the key can be taken out of the switch.
3. Put down the parking brake handle (P. 52)

Braking

1. Release the throttle pedal completely.

NOTICE

When the throttle pedal is released completely and engine speed slows to near idle, the vehicle has no engine braking.

2. Press on the brake pedal evenly and firmly.
3. Practice starting and stopping (using the brakes) until you're familiar with the controls.

Parking the vehicle

1. Stop the vehicle on a level surface. When parking inside a garage or other structure, be sure that the structure is well ventilated and that the vehicle is not close to any source of flame or sparks, including any appliance with pilot lights.
2. Place the transmission in PARK.
3. Stop the engine.
4. Slowly release the brake pedal and make sure the transmission is in PARK before exiting the vehicle.
5. Remove the ignition key to prevent unauthorized use.

Driving on Slippery Surfaces

Whenever riding on slippery surfaces such as wet trails or loose gravel, or during freezing weather, follow these precautions:

1. Do not operate on excessively rough, slippery or loose terrain.
2. Slow down when entering slippery areas.
3. Engage 4X4 before wheels begin to lose traction.

NOTICE

Severe damage to drive train may occur if the 4X4 is engaged while the wheels are spinning. Allow the rear wheels to stop spinning before engaging 4X4, or engage 4X4 before wheels begin to lose traction.

4. Maintain a high level of alertness, reading the trail and avoiding quick, sharp turns, which can cause skids.
5. Correct a skid by turning the steering wheel in the direction of the skid. Never apply the brakes during a skid.

Driving through water

Your vehicle can operate through water with a maximum recommended depth equal to floor level. Follow these precautions when operating through water:

NOTICE

Major engine damage can result if the vehicle is not thoroughly inspected after operating in water. Perform the services outlined in the Periodic Maintenance Chart. The following areas need special attention: engine oil, transmission oil, demand drive fluid and all grease fittings. If the vehicle tips or overturns in water, or if the engine stops during or after operating in water, service is required before starting the engine. Your dealer can provide this service. If it's impossible to bring the vehicle in before starting the engine, perform the service outlined in the Vehicle Immersion section of this manual, and take the vehicle in for service at the first opportunity.

1. Determine water depths and current before entering water.
2. Choose a crossing where both banks have gradual inclines.
3. Avoid operating through deep or fast-flowing water.
4. After leaving water, test the brakes. Apply them lightly several times while driving slowly. The friction will help dry out the pads. If it's unavoidable to enter water deeper than the footrest level.
5. Proceed slowly. Avoid rocks and obstacles.
6. Balance your weight carefully. Avoid sudden movements.
7. Maintain a steady rate of speed. Do not make sudden turns or stops. Do not make sudden throttle changes.

Driving in reverse

Follow these precautions when operating in reverse:

1. Always check for obstacles or people behind the vehicle.
2. Apply the throttle lightly. Never open the throttle suddenly.
3. Back slowly.
4. Apply the brakes lightly for stopping.
5. Avoid making sharp turns.

Driving over obstacles

Follow these precautions when operating over obstacles:

1. Before operating in a new area, check for obstacles.
2. Watch out for bumps, potholes and other obstacles in the terrain.
3. When you approach any obstacle, reduce your speed and be prepared to stop.
4. Never try to ride over large obstacles, such as large rocks or fallen logs.
5. Always have a passenger dismount before operating over an obstacle that could cause a fall from the vehicle or vehicle tip over.

Driving uphill

Braking and handling are greatly affected when operating in hilly terrain. Improper procedure could cause loss of control or rollover. Whenever traveling uphill, follow these precautions:

1. Always move the 4X4 switch to 4X4WD (if equipped) before

ascending or descending a hill.

2. Always travel straight uphill.
3. Keep both feet on the floor.
4. Always check the terrain carefully before ascending any hill. Never climb hills with excessively slippery or loose surfaces.
5. Proceed at a steady rate of speed and throttle opening. Never open the throttle suddenly.
6. Never go over the crest of a hill at high speed. An obstacle, a sharp drop, or another vehicle or person could be on the other side of the hill.

Driving downhill

When driving downhill, follow these precautions:

1. Avoid excessively steep hills.
2. Always move the 4X4 switch to 4X4WD (if equipped) before ascending or descending a hill.
3. Drive straight downhill. Avoid descending a hill at an angle, which would cause the vehicle to lean sharply to one side. Travel straight downhill when possible.
4. Slow down.
5. Apply the brakes slightly to aid in slowing.

Driving on a sidehill (sidehilling)

Driving on a sidehill is not recommended. Improper procedure could cause loss of control or overturn. Avoid crossing the side of any hill unless absolutely necessary.

If crossing a sidehill is unavoidable, follow these precautions:

1. Slow down.
2. Exercise extreme caution.
3. Avoid crossing the side of a steep hill.

Parking on an incline

Avoid parking on an incline if possible. If it's unavoidable, follow these precautions:

1. Stop the engine.
2. Place the transmission in PARK.
3. Lock the parking brake.
4. Always block the rear wheels on the downhill side.

Parking the vehicle

1. Stop the vehicle on a level surface. When parking inside a garage or other structure, be sure that the structure is well ventilated and that the vehicle is not close to any source of flame or sparks, including any appliance with pilot lights.
2. Place the transmission in PARK.
3. Turn the engine off.
4. Engage the parking brake (if equipped).

5. Slowly release the brake pedal and make sure the transmission is in PARK before exiting the vehicle.
6. Remove the ignition key to prevent unauthorized use.

Engine Break-In Guidelines

The engine break-in period is the first 25 hours of operation or the riding mileage which used first two full tanks of fuel.

- Avoid full throttle operation.
- Avoid pressing the accelerator pedal past $\frac{3}{4}$ down.
- Avoid continuous acceleration.

The brake needs a 200km break-in period.

New brakes will not operate at their maximum efficiency until the break-in period is over. Brake performance may be compromised if not followed.

NOTICE

During this period, avoid full-throttle running, rapid acceleration, and constant rpm operation.

PRE-RIDE INSPECTION

Perform a pre-ride inspection before each ride to detect any potential problem that could occur during operation. The pre-ride inspection will help you monitor component wear and deterioration before they become a problem.

Correct any problems that you discover to reduce the risk of a breakdown or accident. Inspection Items.

Item	Note	Page
Brake system/pedal travel	Ensure proper operation	P50
Brake fluid	Ensure appropriate level	P127
Front suspension	Check and lubricate if necessary	P134
Rear suspension	Check and lubricate if necessary	P134
Tire	Check status and pressure	p129
Wheel/fastener	Check to ensure the tightness of fasteners	p132
Nut, bolt, fastener	Check to make sure it's tight	---
Fuel	Ensure appropriate level	P48
Engine oil	Ensure appropriate level	P107
Coolant level	Ensure appropriate level	P124
Coolant pipe	Check leakage	---
Throttle	Ensure proper operation	---
Air intake prefilter	Check ,clean	P136-138
Front headlight	Check operation	P139
Brake light/taillight	Check operation	---

Seat belt	Check the length of the seat belt for damage and check whether the latch is in normal operation	P44
------------------	--	------------

HAULING CARGO

 **WARNING**

Overloading the vehicle or carrying cargo improperly can alter vehicle handling and may cause loss of control or braking instability. Always follow these precautions when hauling cargo:

Never exceed the stated load capacity for this vehicle.

Reduce speed and allow greater distances for braking when hauling cargo.

Never exceed the maximum weight capacity of the vehicle. When determining the weight you are adding to the vehicle, include the weight of the operator, passenger(s), accessories and loads in the rack or box. The combined weight of these items must not exceed the maximum weight capacity.

Always load the cargo box with the load as far forward and as low as possible.

When operating over rough or hilly terrain, reduce speed and cargo to maintain stable driving conditions.

Always operate the vehicle with extreme care when hauling cargo. Slow down and drive in the lowest gear available.

 **WARNING**

SECURE ALL LOADS BEFORE OPERATING. Unsecured loads can create unstable operating conditions, which could result in loss of control of the vehicle.

OPERATE ONLY WITH STABLE AND SAFELY ARRANGED LOADS. When handling off-centered loads that cannot be centered, securely fasten the load and operate with extra caution.

HEAVY LOADS CAN CAUSE BRAKING AND CONTROL PROBLEMS. Use extreme caution when applying brakes with a loaded vehicle. Avoid terrain or situations that may require backing downhill.

USE EXTREME CAUTION when operating with loads that extend over the rack sides. Stability and maneuverability may be adversely affected, causing a rollover.

DO NOT TRAVEL FASTER THAN THE RECOMMENDED SPEEDS. Vehicle should never exceed 16 km/h while towing a load on a level grass surface. Vehicle speed should never exceed 8km/h when towing loads in rough terrain, while cornering, or while ascending or descending a hill.

If total payload is greater than 227kg (500 lbs), the vehicle must be operated in LOW range. Carrying a passenger in the cargo box could result in a fall from the vehicle or contact with moving components. Never allow a passenger to ride in the cargo box.

Your vehicle has been designed to carry or tow specific capacities. Reduce speed and allow a greater distance for braking when carrying cargo.

Loads should be centered and carried as low as possible in the box. For stability on rough or hilly terrain, reduce both speed and cargo. Exercise caution if the cargo load extends over the side of the box.

Always read and understand the load distribution warnings listed

on warning labels and in this manual. Never exceed the maximum capacities specified for your vehicle.

Belt life

To extend belt life, use low gear when hauling or towing heavy cargo.

Towing loads

 **WARNING**

Towing improperly can alter vehicle handling and may cause loss of control or brake instability.

Always follow these precautions when towing:

1. Never load more than 110 kg tongue weight on the towing bracket.
2. When towing a disabled vehicle, place the disabled vehicle's transmission in neutral. Do not operate the vehicle faster than 16 km/h when towing.
3. Towing a trailer increases braking distance. Do not operate the vehicle faster than 16 km/h when towing.
4. Do not tow more than the recommended weight for the vehicle.
5. Attach a trailer to the trailer hitch bracket only. Do not attach a trailer to any other location, which could result in loss of control of the vehicle.
6. The total load (operator, accessories, cargo and weight on hitch) must not exceed the maximum weight capacity of the vehicle.

Maximum loading capacity

Don't over the maximum loading capacity:

Vehicle Model	SGW1000F
Maximum weight capacity	680 kg
Maximum cargo load	350 kg
Maximum unbraked towing mass	400 kg
Maximum unbraked tongue mass	110 kg
Maximum inertibraked towing mass	700 kg
Maximum inertibraked tongue mass	110 kg

Dumping the cargo box

To dump the cargo box, do the following:

1. Select a level site to dump the cargo box. Do not attempt to dump or unload the vehicle while parked on an incline.
2. Apply the brakes.
3. Set the parking brake.
4. Turn the key to the off position.
5. Dismount vehicle.
6. Ensure that the cargo is positioned evenly or toward the front of the cargo box.

WARNING

If the weight distribution on the box is located toward the rear of the box when the release lever is pulled forward, the box may dump unexpectedly and cause serious injury to the operator or bystanders. Never operate the dump lever without ensuring that the load is positioned evenly or at the front of the box.

OPERATION

SEGWAY

7. Release the tailgate latches.
8. Stand clear and pull up on the cargo box release lever.
9. Lift the front of the cargo box to dump the cargo.
10. Lower the cargo box and push down securely to latch.
11. Close the tailgate and secure both tailgate latches.



WARNING

Operating the vehicle while the cargo box is raised could result in severe injury. The box could close unexpectedly and cause injury to the driver or passenger. The rear tires will also catch the rear of a raised box, damaging the vehicle and creating hazardous driving conditions. Never operate this vehicle with the cargo box in the raised position.

Loading guidelines

When transporting cargos, please follow below instructions:

1. Do not exceed the weight specified in the warning label and this manual.
2. Don't allow passengers to sit in the cargo box.
3. Make sure all cargo is secured before riding.
4. Avoid riding on steep slopes when carrying cargo or pulling a trailer.
5. Use low-speed gear when hauling heavy cargo.
6. When handling cargo, operate the vehicle with caution.

Trailer

The towing device is a detachable part. It can be removed from the vehicle when not in use. When towing a load that the towing weight does not include the towing device.

- The total load (weight on the operator, accessories, cargo and trailer) shall not exceed the maximum capacity of the vehicle.

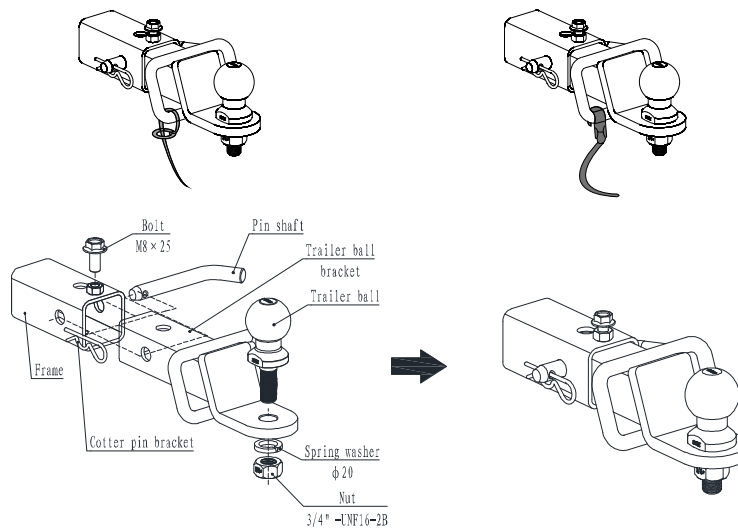
Where a designated attachment point is provided on the towbar:

Either:

Pass the cable through the attachment point and clip it back on itself.

Or:

Attach the clip directly to the designated point, This attemative must be specially permitted by the trailer manufacturer since the clip may not be sufficiently strong for use in this way.



WINCH OPERATION

If your vehicle is equipped with a winch, please read this manual before installation and use to understand and be familiar with the relevant safety precautions and operating instructions.

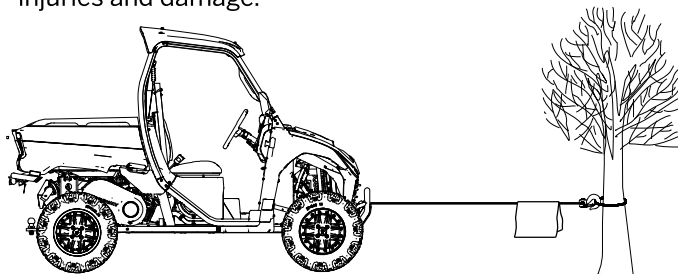
 **WARNING**

The user must read and understand the operating instructions and warnings of this owner's manual. If the instructions or warnings are not followed, serious property damage or personal injury may occur.

- It is strictly prohibited for people under the age of 16 years old to use this equipment.
- Before operation or during use, pay attention to the safety and environmental conditions within the operating range of the winch.
- Do not overload. Ensure that all equipment used meets the maximum rope pull force rating. We recommend using an optional pulley block, double rope using a pulley block double rope will help reduce the load on the winch, rope and battery. When using a double rope, the rated value of the pulley block should be two times the rope pull of the winch rating.
- Under heavy loads, do not operate the winch for long periods of time. Electric winches are only designed for intermittent use and, should not be used under constant load. Do not pull for more than one minute. If the winch motor feels very hot, stop the winch and let it cool down for a few minutes.
- The rope end cannot bear the full load when fully extended, the rope must rotate around the drum at least 5 times.
- Avoid pulling from extreme angles, as this will cause the rope

to be rolled on one end of the barrel and may damage the rope or winch.

- Note that the rope-drawing capacity of the winch is the maximum rope-drawing capacity of the first layer, do not operate the winch with overload capacity past this amount of rope.
- Never hook the rope back to itself, otherwise the rope will become damaged. Use trunk protection protector.
- Before operation, make sure that the winch is firmly installed on the vehicle or bracket.
- Before moving heavy objects, check the rope to prevent kinks and uneven wire layers. The rope slack must be properly tightened under a weight of about 100Kg.
- When pulling the load, be sure to place a protective layer on the wire rope near the hook end. This will prevent the possibility of breaking the rope and help prevent serious injuries and damage.



- Do not move the winch to assist in hauling heavy objects, it is easy to overload the winch and cause damage to the rope.
- Pay attention to the dangerous area. Stay away from the danger area during winch operation. The dangerous area is the area that contains the winch drum, fairlead, rope, pulley block, hook and motor.
- When the winch is under load, do not approach or cross the

rope.

- When using the winch to move the load, place the vehicles transmission in neutral and apply the brake of the vehicle and place wedges under each wheel. When the hoist is working, the vehicle engine should be operated to charge the battery. Never use the winch with insufficient voltage.
- Never disconnect the power supply when there is a load on the winch.
- After the operation, release the load immediately and do not tighten the rope.
- Always stay away from ropes, hooks and winches when in operation or under load.
- Check winches, ropes, hooks, and broken strands of worn rope regularly. When handling the rope, please wear thick leather gloves. Do not let the rope slip over your hands. Check the rope before use.
- Crushed, pinched, worn or kinked areas seriously reduce the carrying capacity. A damaged rope should be replaced. It must be re-wound under a load of about 100 pounds.
- The clutch should be disconnected first, and then the rope should be pulled by the hook of the protective lever. Do not pull the rope directly through the hook with your fingers.
- Maintain the specified tension so that the rope can be wound on the reel and re-rolled after the operation tight.
- Do not operate the winch under the influence of alcohol or drugs. Be cautious during operation. If there is a problem, you should cut off the battery immediately and check it carefully.
- Wear goggles, insulating overalls, non-slip shoes, work caps, thick leather gloves, Place long hair tightly under a work cap and remove all jewelry.

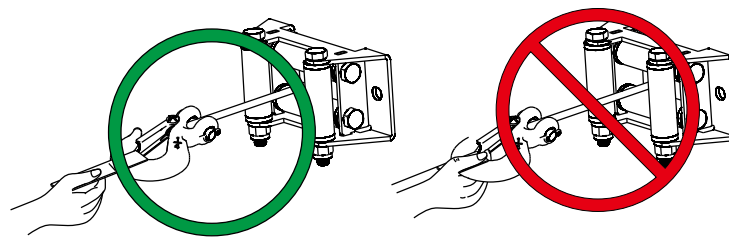
- When the winch is in use, be sure to start the vehicle engine and set the gear position to "N."
- When the winch is working, it will draw voltage, so you must start the vehicle and step on the accelerator lightly to avoid damage to the battery.
- If severe noise or vibration occurs during the use of the winch, it must be stopped immediately
- When the winch is not used, please remove the controller.

⚠ WARNING

When releasing or retrieving the winch rope, both ends of the rope must be left with sufficient length to prevent the rope from being over-rolled in or out. When the rope is retrieving, please maintain a certain tension so that the wire can be retracted smoothly and can be wound tightly during retrieving.

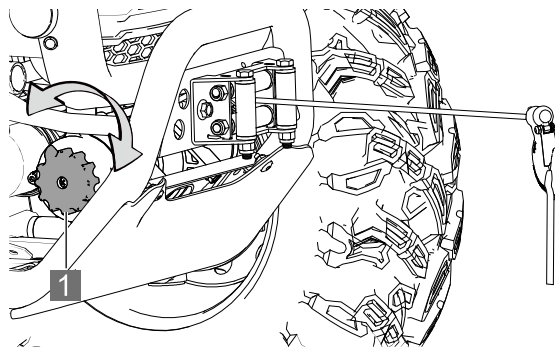
⚠ WARNING

Always use the tow rope to pull the hook, do not hold the hook with your hands. This is not only important when winding the wire rope, but also when removing the wire rope from the winch under power.



Winch Operation

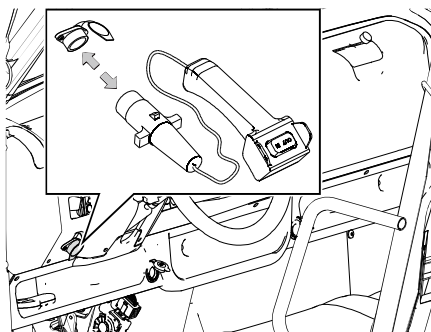
Manual Release switch of Winch



1 Manual release switch of Winch

- When the winch manual release switch is turned clockwise, the winch cable can be pulled out manually.
- When the winch manual release is switched (turned counterclockwise), the winch can be controlled by the switch.

Operation of control Switch



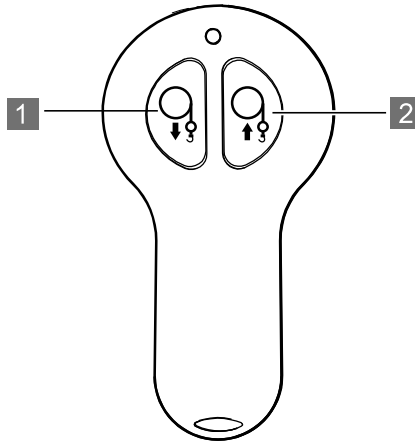
OUT: Release the winch cable

IN: Recoil the winch cable

Remove the control switch from the passenger armrest storage and connect the control switch to the power interface of the winch located at the front of the vehicle.

1. Open the waterproof cover of the power interface of the winch switch.
2. Insert the control switch wire into the power interface.

Remote control operation



1 Release the winch cable 2 Reclaim the winch cable

NOTICE

When the remote control doesn't work, it may be that the battery in the remote control is exhausted. Replace the battery with a new one.

When the winch is needed, the rope should be aligned with the vehicle, preferably in a straight line. Too large an angle will change the direction of tension and damage the cable. In case of serious noise or vibration during the use of the winch, the operation of the winch must be stopped immediately.



MAINTENANCE, STORAGE AND TRANSPORTATION

PERIODIC MAINTENANCE	95
LUBRICATING OIL	100
Front service lid	101
Cargo Box	102
Lift cargo bed	103
ENGINE OIL MAINTENANCE PROGRAM	104
Oil Recommendation	105
Engine Oil Level Check	106
Changing Engine Oil & Filter	108
Drain the Engine Oil	109
Replace Oil Filter/Oil Strainer	111
Oil Strainer Cleaning	112
Add Engine Oil	113
FRONT/REAR GEARBOX (DEMAND DRIVE) FLUID	114
Check the Rear Gear Box Oil Level	115
Front/Rear Gearbox Oil change	116
Add gear oil	117
CVT belt	118
Drying the CVT	119
SPARK PLUG	120
Spark Plug Inspection	121
COOLANT	123
Coolant bottle	124
Radiator coolant	125
BRAKE SYSTEM	126
Brake Fluid	127



MAINTENANCE, STORAGE AND TRANSPORTATION

Brake Pads.....	128
TIRE	129
Tire Pressure	129
Tread Depth	129
When to Replace a tire:.....	130
Replace the Tires.....	130
Wheel Removal.....	131
Tire Replacement Size.....	132
SHOCK ABSORBER ADJUSTMENT	133
LUBRICATION	134
Front/Rear Drive Axle Dustcover	135
AIR FILTER	136
Replacing Air Filter element	136
Air filter inlet cap and CVT inlet mesh fabric.....	137
LAMP	139
Change the headlight.....	139
Replace taillight/rear turn light.....	141
High beam adjustment	142
SPARK ARRESTER	145
BATTERY	147
Battery Removal.....	148
Battery Charging.....	149
Battery Installation	150
FUSE	152
Fuse Box.....	153
Fuse/Relay Distribution and Rated Amperage.....	154



MAINTENANCE, STORAGE AND TRANSPORTATION

Fuse Box Replacement	156
APPEARANCE CARE	157
Vehicle Washing	157
Vehicle Storage	157

PERIODIC MAINTENANCE

Periodic maintenance will help keep your vehicle in the safest, most reliable condition. Inspection, adjustment and lubrication of important components are explained in the periodic maintenance chart.

Inspect, clean, lubricate, adjust and replace parts as necessary. When in the need for replacement parts, use genuine Segway Powersports parts available from your authorized Segway Powersports dealer.

Service and adjustments are important for proper vehicle operation. If you're not familiar with the service and adjustment procedures, have a qualified Segway Powersports dealer perform these operations.

Maintenance intervals in the following chart are based upon average riding conditions. Vehicles subjected to severe use and / or conditions must be inspected and serviced more frequently.

Severe use is defined as:

- **Frequent immersion in mud, water, or sand.**
- **Frequent or prolonged operation in dusty environments.**
- **Short trip cold weather operation.**
- **Racing or racing-style high RPM use.**
- **Prolonged low speed, heavy load operation.**
- **Extended idling.**

Maintenance Chart Key

Symbol	Description
▶	Perform these procedures more often for vehicles subjected to severe use.
D	Have an authorized Segway Powersports dealer or other qualified person perform these services.

 **WARNING**

Improperly performing the procedures marked with a D could result in component failure and lead to serious injury or death. Have an authorized Segway Powersports dealer or other qualified person perform these services.

Perform all services at whichever maintenance interval is reached first. Record maintenance and services in the Maintenance Log.

SEGWAY MAINTENANCE, STORAGE AND TRANSPORTATION

ITEM	MAINTENANCE INTERVAL (WHICHEVER COMES FIRST)			REMARKS
	HOURS	CALENDAR	MILES (M/KM)	
Steering		Pre-Ride		Visually inspect, test, or check components. Make adjustments and/ or schedule repairs when required
Front suspension		Pre-Ride		
Rear suspension		Pre-Ride		
Tires/ Wheels/ fasteners		Pre-Ride		
Brake fluid level		Pre-Ride		
Brake system		Pre-Ride		
Accelerator		Pre-Ride		
Engine oil level		Pre-Ride		
▶ Air filter, pre-filter		Daily		Inspect. clean often. replace as needed
Coolant		Daily		Check level
Power steering unit (if equipped)		Daily		Inspect daily. clean often
Headlight/ taillight/ worklight		Daily		Check operation. apply dielectric grease if replacing lamps
▶ Air filter, main element		Weekly		Inspect. replace as needed

MAINTENANCE, STORAGE AND TRANSPORTATION

SEGWAY

ITEM	MAINTENANCE INTERVAL (WHICHEVER COMES FIRST)			REMARKS
	HOURS	CALENDAR	MILES (MI/KM)	
▶ D Brake pad wear	10 H	Monthly	100 (160)	Inspect periodically
Battery	20 H	Monthly	200 (320)	Check terminals. clean. test
Fuel System	20 H	Monthly		Inspect. cycle key to pressurize fuel pump. check lines and fittings for leaks and abrasion
▶ Engine oil change	25 H	1 M	200 (320)	Break-in oil and filter change
▶ Front gearcase oil	25 H	1 M	200 (320)	Break-in oil level check
▶ Rear gearcase oil	25 H	1 M	200 (320)	Break-in oil level check
▶ General lubrication	50 H	3 M	500 (800)	Lubricate all fittings, pivots, cables, etc.
Throttle Body Intake Duct	50 H	6 M	500 (800)	Inspect duct for proper sealing/air leaks
Drive belt	50 H	6 M	500 (800)	Inspect. adjust. replace as needed
Cooling system	50 H	6 M	1000(1600)	Inspect coolant strength seasonally. pressure test system yearly
▶ Engine oil change	100 H	6 M	1000(1600)	Change the oil and filter
▶ Oil lines and fasteners	100 H	6 M	1000(1600)	Inspect for leaks and loose fittings
▶ Front gearcase oil	100 H	12 M	1000(1600)	Change fluid.
▶ Rear gearcase oil	100 H	12 M	1000(1600)	Change fluid
D Fuel system/filter	100 H	12 M	1000(1600)	Cycle key to pressurize fuel pump. check for leaks at fill cap, fuel lines/rail and fuel pump. replace lines every two years

SEGWAY MAINTENANCE, STORAGE AND TRANSPORTATION

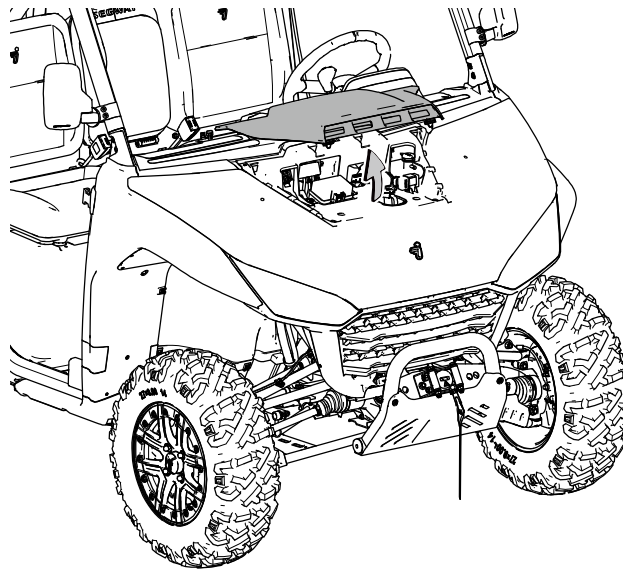
ITEM	MAINTENANCE INTERVAL (WHICHEVER COMES FIRST)			REMARKS
	HOURS	CALENDAR	MILES (MI/KM)	
▶ Radiator (if applicable)	100 H	12 M	1000 (1600)	Inspect. clean external surfaces
▶ Cooling hoses (if applicable)	100 H	12 M	1000 (1600)	Inspect for leaks
▶ Engine mounts	100 H	12 M	1000 (1600)	Inspect
Exhaust muffler/ pipe / Joints	100 H	12 M	1000 (1600)	Inspect. clean. replace worn parts
D Spark plug	100 H	12 M	1000(1600)	Inspect. replace as needed
D Clutches (drive and driven)	100 H	12 M	1000 (1600)	Inspect. clean. replace worn parts
D Front wheel bearings	100 H	12 M	1000 (1600)	Inspect. replace as needed
D Brake fluid	200 H	24 M	2000(3200)	Change every two years
Spark arrester	300 H	36 M	3000(4800)	Clean out
▶ Coolant		60 M		Replace coolant
D Valve clearance	500 H		5000 (8000)	Inspect. adjust
D Toe adjustment				Adjust as needed
Headlight aim				Adjust as needed

LUBRICATING OIL

Check and lubricate all components at the intervals listed in the periodic maintenance chart. Items not listed in the chart should be lubricated in the general lubrication interval. The rocker arm is lubricated at the factory and does not require additional lubrication. However, if these components are heavily used, the user may perform additional lubrication as required.

Project	Recommended model	Capacity	Inspection procedure
Engine oil	SAE 5W-40/SN Or higher	3000 mL	Maintain level in safe range on dipstick
Front Differential	SAE 75/80W-90 GL5	230 mL	Drive each 2000km Kilometers.
Rear Differential	SAE 75/80W-90 GL5	1400 mL	
Coolant		6800 mL	Maintain the level between the fill lines.
Brake fluid	DOT4		Maintain the level between the fill lines.
Suspension, balance bar grease		—	Grease nozzle (2 Pump max) per 500 mile.

Front service lid



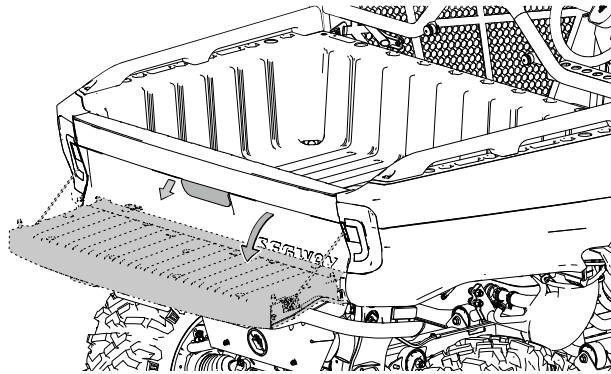
Hold the front service lid and lift it upward. Open the lid. Fuse box, coolant filling port, located under the front service lid.

Cargo Box

⚠ WARNING

Do not carry passengers on cargo container. When loading the goods, do not exceed the maximum load of the container.

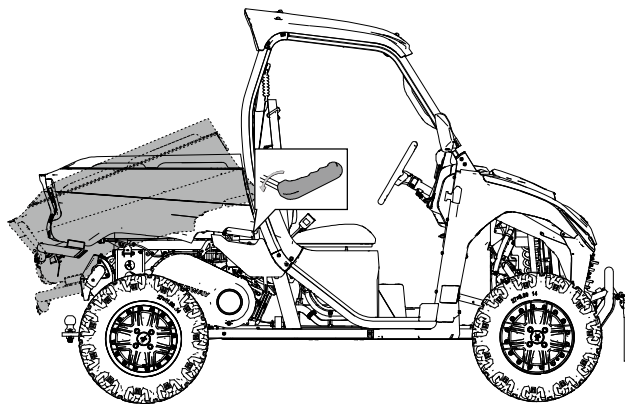
Cargo box tailgate



Open the tailgate by lifting the handle of the rear door panel.

Raise the tailgate up and push it hard. When you hear the "click" of the tailgate lock the door is closed. After closing, check whether the tailgate is locked.

Lift cargo bed



The cargo bed release handles are available on the left and right sides of the vehicle.

Lift the cargo bed release handle to raise the cargo bed. The lock hook of the container will spring open. The cargo bed will slowly tilt upwards, and stop automatically when it reaches the turning limit. Push down from the front of the cargo bed to lower and secure the latch.

⚠ CAUTION

Before lifting the container for unloading, Open the tailgate of the cargo box first.

ENGINE OIL MAINTENANCE PROGRAM

Be sure to check and change the oil at the time required by the regular maintenance chart. Be sure to use the recommended engine oil. The oil filter must also be changed every time the oil is changed. Pay attention to the oil level. An increase in the oil level during cold weather can indicate contaminants collected in the oil sump or crankcase. If the oil level starts to rise, change the oil immediately. Monitor the oil level, if it continues to rise, stop using it and determine the cause. Your Segway Powersports dealer can assist.

 **WARNING**

Vehicle operation with insufficient, degraded or contaminated engine oil will cause accelerated wear and tear, and may result in engine failures, accidents and / or injuries. Always perform the maintenance procedures listed in the periodic maintenance chart.

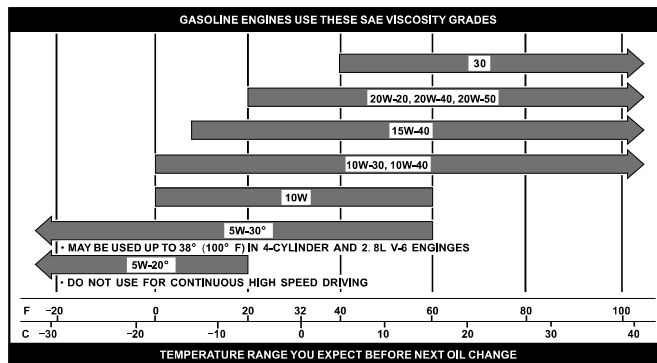
Oil Recommendation

The oil filter must be changed every time the oil is changed.

It is recommended to use 5W/40-SN four-cycle oil or similar oil for this engine. Follow the manufacturer's recommendations for ambient temperature operation. Please refer to the lubricant guide section for fluid recommendations, capacity.

⚠ CAUTION

Mixing brands or using non-recommended oils may cause engine damage.



Engine Oil Level Check

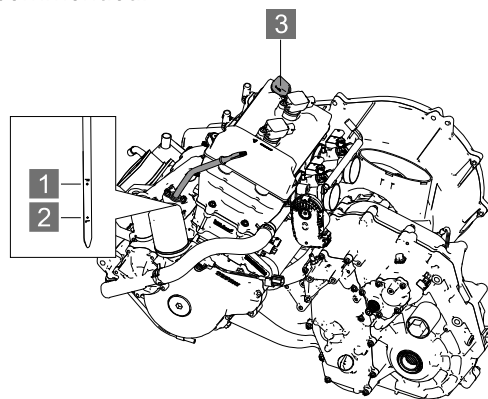
NOTICE

Running the engine with an improper oil level can cause serious engine damage.

Daily Oil Level Check

1. Position vehicle on a level surface and place the transmission in PARK.
2. Raise the cargo box, the oil dipstick is at the bottom.
3. Unlock the dipstick lever and pull it out.
4. Wipe the dipstick clean and re-insert it, then take it out and check the oil level.

Check the oil level as shown in the figure below. If the oil level is between the upper engraved line **1** and the lower engraved line **2**, it is the proper oil level. Below the lower scale means the oil is too low, and the upper scale means the oil is too full, too low or too full is not recommended.



1 Upper Line

2 Lower Line

3 Oil Filler cap

5. After cleaning the dipstick, reinsert and tighten the dipstick.
6. If the oil level is close to or lower than the MIN level mark, please refer to page 113 to add an appropriate amount of oil.

Oil Level Check After Oil Change

NOTICE

Note: This procedure is only for the new vehicle first oil level check or after an oil change in engine.

1. Position vehicle on a level surface and place the transmission in PARK.
2. Start the vehicle and let the engine idle for five minutes.
3. Stop the engine and allow it to cool down.
4. Removing the dipstick.
5. Wipe the dipstick clean and re-insert it, then take it out to check the oil level.

Check the oil level as shown in the figure below. If the oil level is between the upper engraved line **1** and the lower engraved line **2**, it is the proper oil level. Below the lower scale means the oil is too low, and the upper scale means the oil is too full, too low or too full is not recommended.

6. After cleaning the dipstick, reinsert and tighten the dipstick.

Changing Engine Oil & Filter

NOTICE

Whenever changing oil change the oil filter.



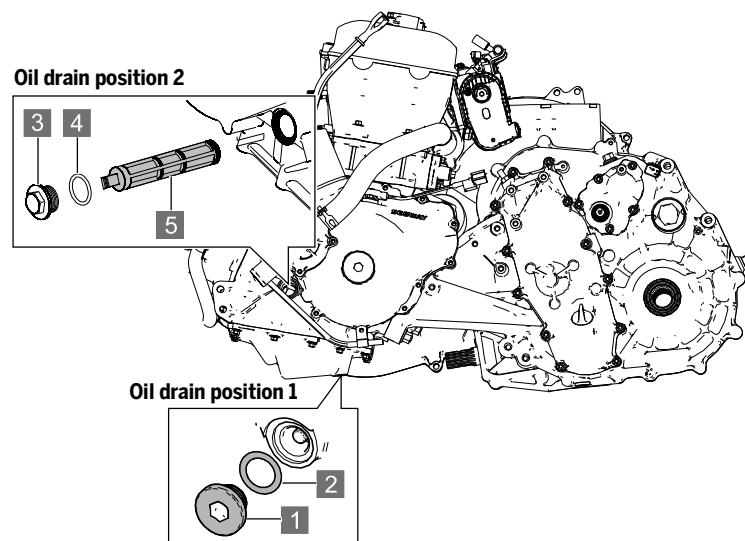
WARNING

The used engine oil contains potentially hazardous pollutants, which can cause skin diseases such as dermatitis and skin cancer, so care should be taken to avoid prolonged and repeated exposure to such oils. Wash the skin thoroughly with soap and water to remove the used engine oil.

The used oil and filter must be disposed in a safe and compliant way with environmental regulations. Do not dispose used oil and filters in domestic garbage, sewers or on the ground. For information on oil recycling or scrapping, please consult your Segway Powersports Powersports dealer.

Do not put used engine oil in a place where children can reach.

Drain the Engine Oil



- 1 Oil Drain Plug** **2 O-ring** **3 Oil Filter Strainer**
- 4 O-ring** **5 Oil Drain Plug**

There are two places on the engine where the oil can be drained, and both places should be drained, otherwise the waste oil cannot be drained completely.

Oil drain position 1

The oil drain position 1 is located at the bottom of the vehicle, under the engine

Oil drain position 2

The oil drain position 2 is located inside the left cover assembly. Remove the flange bolt M6×16 and step bolts on the left cover assembly first, then remove the left cover assembly, and the oil drain position 2 can be seen.

1. Put the vehicle on the horizontal surface.
2. Start the engine. Let it heat up for two to three minutes at idle.

⚠ WARNING

Hot oil can cause skin burns. Don't let hot oil touch the skin

3. Place a suitable container under the oil drain plug **1** to collect the discharged waste oil
4. Remove the oil drain plug **1**, remove the O-ring and wait for the waste oil to drain completely
5. Place a suitable container under the oil drain plug **3** to collect the discharged waste oil
6. Remove the oil drain plug **3** and remove the O-ring **4**
7. Take out the oil filter strainer 5 and clean the oil filter. See P112 for details
8. Wait for the waste oil in drain position 1 and drain position 2 to drain completely

Torque

Drain Plug: 11.8-14.8ft·lb. (16~20N.m)

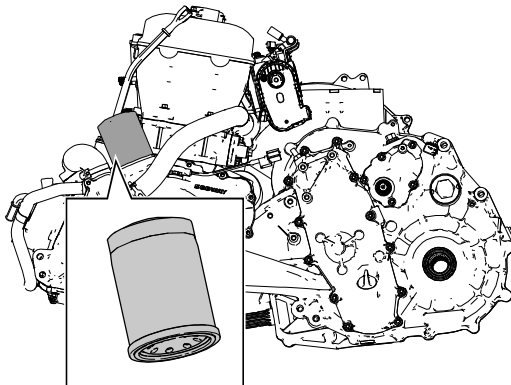
Replace Oil Filter/Oil Strainer

IMPORTANT

Change the oil filter and clean the oil strainer with each oil change

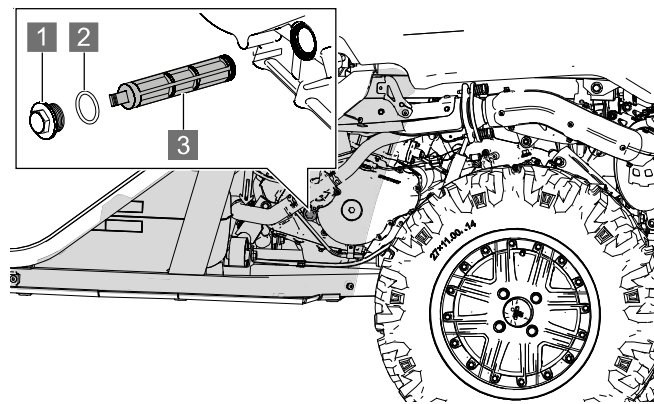
Change the Oil filter

The oil filter is under the cargo box, Refer to fluid recommendations for capacity and plug torque. Always change the filter at the same time you change the engine oil.



1. Using a oil filter wrench, turn the filter counter-clockwise to remove it.
2. Using a clean dry cloth, clean the filter sealing surface on the crankcase. Make sure the old filter o-ring is completely removed.
3. Lubricate the o-ring on the new filter with a film of fresh engine oil. Check to make sure the oring is in good condition.
4. Install the new filter.

Oil Strainer Cleaning

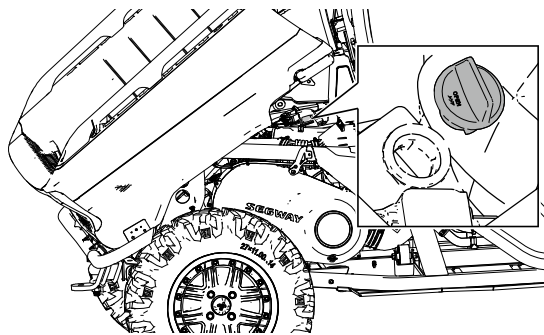


- 1** Oil drain plug **2** O-ring **3** Oil filter

Torque	Oil drain plug: 16~20N.m
---------------	---------------------------------

1. Remove the drain plug, take off the O-ring, and remove the oil strainer.
2. Clean the strainer and allow to dry.
3. Install new O-rings and reinsert the clean oil strainer

Add Engine Oil



Turn the open the cargo boxr (page 103), and add engine oil cover underneath.

1. Unscrew the oil cap counterclockwise.
2. Add an appropriate amount of the recommended type of oil type and be careful to do not overfill it. The correct oil level is between the upper level and the lower level marks on the dip stick.
3. Retighten Replace the oil cap.
4. Put the gear shifter in "park".
5. Lock the parking brake.
6. Start the engine and leave let it idle for 5 minutes.
7. Stop the engine.
8. Check for any leaks.
9. Check the oil level and add oil as needed to make the oil level reach the mark on the dipstick.
10. Properly handle dispose any used filters and oil.

FRONT/REAR GEARBOX (DEMAND DRIVE) FLUID

Check and replace the demand drive fluid at intervals in the periodic maintenance chart. Replace the front gearbox fluid every 25 hours if the 4WD unit is exposed to extreme use. Extreme use includes any of the following:

Continuous 4WD operations running

in mountain or mountain areas for long periods of time in 4WD mode 4WD is the primary mode of all-wheel drive operations.

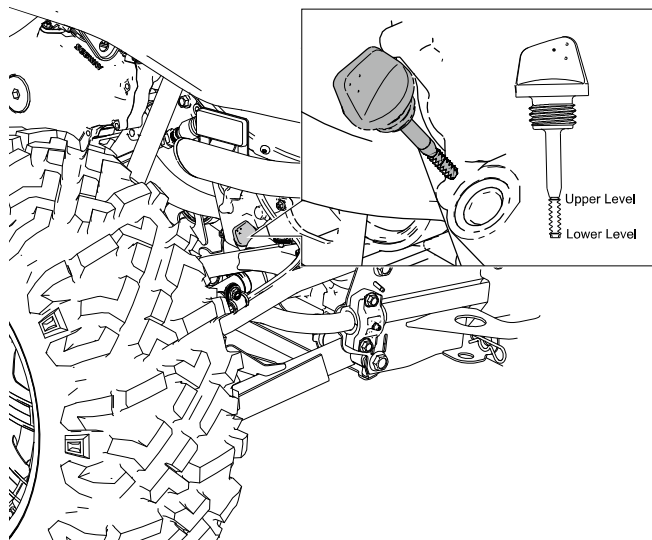
NOTICE

If the front gearbox makes too much noise during 4WD operation, change the demand drive fluid. If the noise continues, see your Segway Powersports dealer.

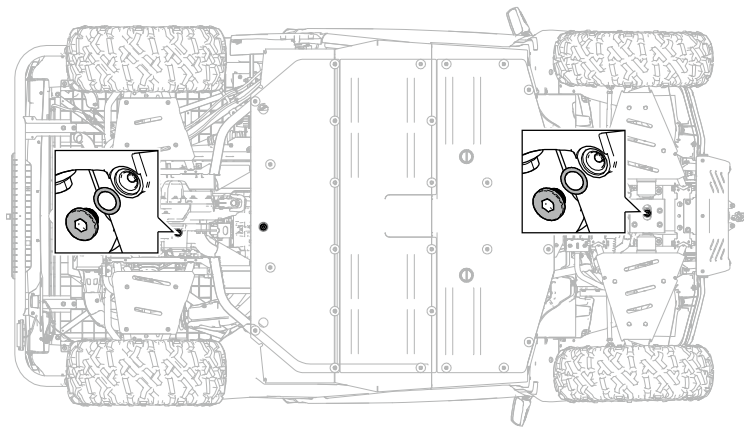
Use the recommended oil type. The use of other oil may result in improper operation. Maintain oil level to the bottom of filling hole thread.

Check the Rear Gear Box Oil Level

1. Park the vehicle on the level ground. Put the vehicle to a stop.
2. With a rag, remove and pull out the oil dipstick.
3. Clean the dipstick.
4. Re-insert the dipstick completely.
5. Check the oil level as shown in the figure above. The oil should be in the gradient marks. Add if the oil level is low.
6. Wipe the dipstick before reinstalling.



Front/Rear Gearbox Oil change



1. Place a container under the vehicle oil drain to collect the waste oil.
2. Position the vehicle on a horizontal surface, and remove the drain plug and o-ring.
3. After the oil is drained, reinstall the filling plug.

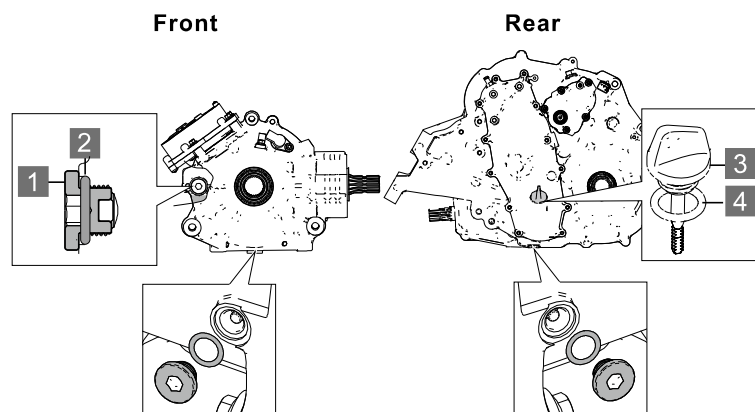
Torque to the required value.

Torque Discharge plug:

Torque

Drain Plug: 16-20N.m

Add gear oil



1 Filling Plug 2 o-ring 3 Oil Dipstick 4 o-ring

Torque	Filling Plug: 16-20N.m
---------------	-------------------------------

1. Position the vehicle on a horizontal plane.
2. Place the drain tray under the differential.
3. Remove the drain plug. Allow the fluid to drain completely.
4. Clean and reinstall the drain plug.
5. Torque to desired value.
6. Remove fill plug
7. Add the recommended amount of oil.
8. Reinstall the fill plug
9. Torque to desired value.
10. Check for any leakage.
11. Dispose used oil properly.

CVT belt

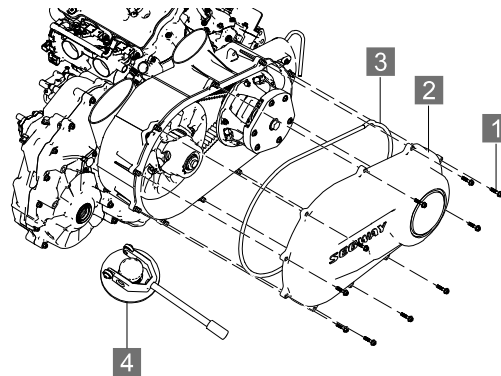
Replace the CVT drive belt according to the specified time listed in the vehicle maintenance schedule. If the belt is damaged, it should be replaced.

When replacing the belt, clean the CVT housing pipe, clutch and the engine compartment for debris.

⚠ WARNING

Failure to remove all debris when the belt is replaced can result in vehicle damage, loss of control and serious injury or death

Stop the engine before replacement and allow the vehicle to cool down.



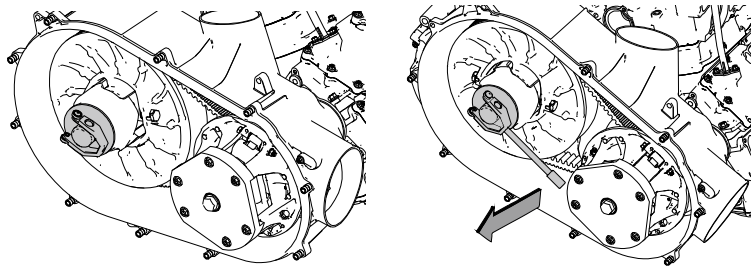
1 CVT cover bolt

2 CVT cover

3 CVT cover seal

4 CVT belt replacement tool

1. Remove the CVT outer cover bolts, outer cover and the sealing ring.
2. Remove the handle on the CVT belt replacement tool, and manually screw the CVT belt replacement tool into the thread of the CVT driven wheel.



3. Insert the handle of the CVT belt replacement tool and pull the handle outward to open the CVT driven wheel.
4. Remove the drive belt from the CVT driven wheel and driving wheel.

If there are debris in the engine CVT inner box, please remove all debris completely.

Install the drive belt

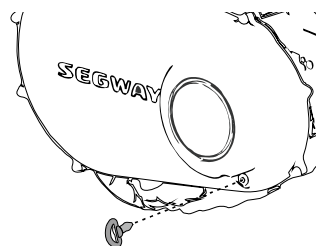
The installation steps are basically the reverse of the removal.

1. Wrap the drive belt around the CVT driving wheel.
2. Use the CVT belt replacement tool to open the CVT driven pulley, wind the drive belt into the CVT driven pulley.
3. Install the CVT sealing ring and the CVT outer cover, tighten the CVT outer cover.

Torque	CVT cover bolt : 6 N.m
---------------	-------------------------------

Drying the CVT

In some cases, the water may soak into the CVT system and must be dried out it before driving.

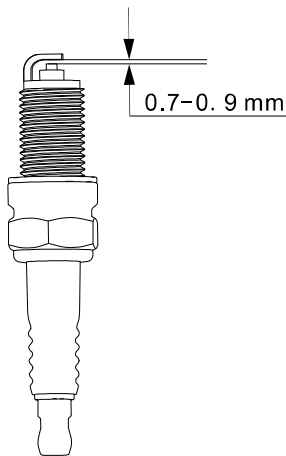


MAINTENANCE, STORAGE AND TRANSPORTATION **SEGWAY**

1. Remove the CVT clutch drain plug.
2. Wait for the water to drain out and reinstall the water drain plug.
2. Start the engine.
3. Increase the engine speed and maintain it for 10-15 seconds to remove the excess moisture and dry the belt and CVT. DO NOT fully open the throttle during this operation.
4. Shift gears to the low range and test for belt slippage.
5. If the belt still slips, repeat the process.
6. Visit your Segway Powersports dealer if your vehicle needs service.

SPARK PLUG

Refer to the specification below for the recommended spark plug type and clearance specifications.



CAUTION

The use of anything but the recommended spark plug can cause serious engine damage. Always use the recommended spark plugs or their equivalents.

Spark Plug

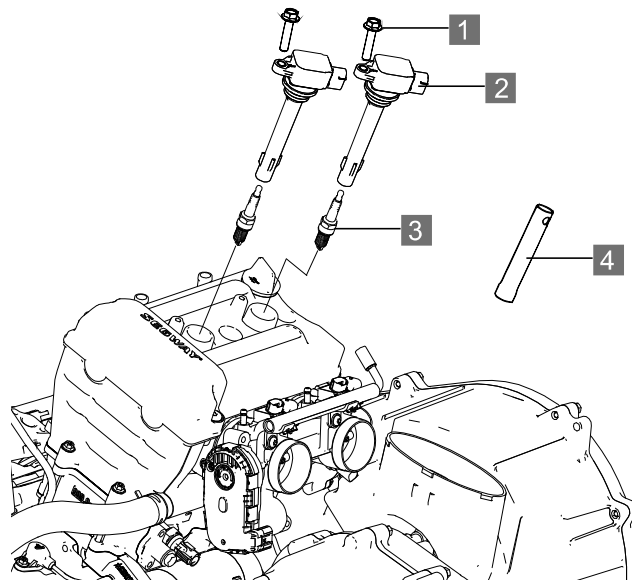
Model	NGK CPR7EA / TORCH B7RTC
Spark Plug Gap	0.7-0.9 mm
Spark Plug Torque	8.8 ft. lbs. (12 N-m)

Spark Plug Inspection

The spark plug condition indicates how the engine is running. Check or change the spark plugs within the maintenance time shown in the periodic maintenance schedule.

⚠ CAUTION

Allow the engine to cool before attempting to remove the spark plug for inspection. Hot exhaust system and engine will cause burns.



- 1 Bolt**
- 2 Ignition coil**
- 3 Spark plug**
- 4 Spark plug**

MAINTENANCE, STORAGE AND TRANSPORTATION **SEGWAY**

The spark plug is located under the cargo box. Please refer to page 103 to open the cargo box. When replacing the spark plugs, please replace both spark plugs at the same time.

1. Remove the ignition coil fixing bolts.
2. Take out the ignition coil, The spark plug is located below the ignition coil.
3. Using the spark plug wrench provided in the tool kit, remove the plugs by rotating them counterclockwise.
4. Reverse the procedure for spark plug installation. Torque to specification.

Normal spark plug : The electrode part is grayish white, grayish yellow or light brown, and the electrode gap is about 0.7-0.9mm.

If the spark plug shows electrode wear, carbon deposits or, clearance is too large replace the spark plugs.

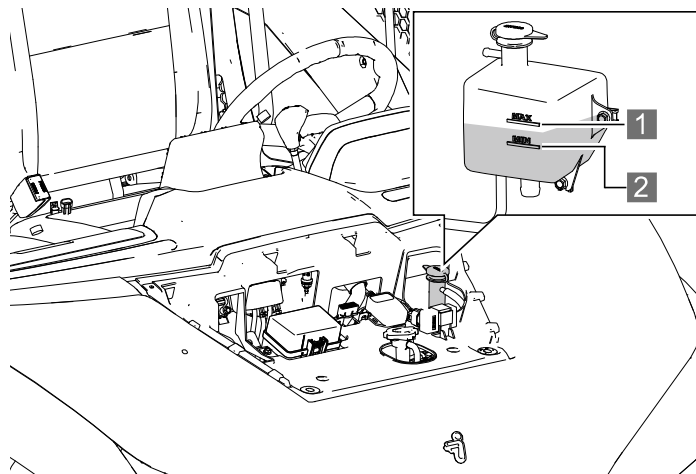
COOLANT

The coolant circulates in the engine cooling system, taking away the excess heat generated during the engine operation and making the engine operate at normal operating temperature. Maintaining the coolant will allow the cooling system to work properly and prevent freezing, overheating, and corrosion. Therefore, the coolant should be frequently checked. The factory provides a 50/50 solution of antifreeze and water in this vehicle. This coolant solution is recommended for most operating temperatures and provides good corrosion protection.

Coolant bottle

The coolant bottle is located under the front access cover.

1. Check the liquid level of the coolant bottle from the lower left side of the front panel of the vehicle.
2. If the liquid level is low, add the corresponding type of coolant. Coolant should be in the bottle remain level between minimum MIN and maximum mark MAX on the liquid (as the liquid cools).



1 MAX **2 MIN**

3. Unscrew the lid and pour in the new coolant. Pay attention to the position of coolant when pouring. Do not exceed the maximum liquid level.
4. Reinstall the cover.
5. Cover the front maintenance cover .

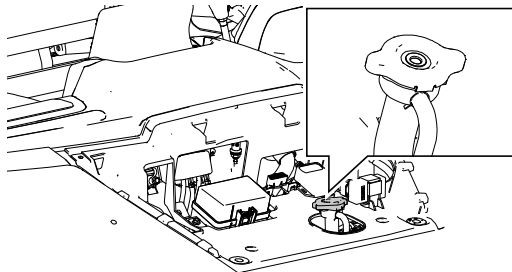
Radiator coolant

To ensure that the coolant maintains its ability to protect the engine, we recommend the system each five (5) years completely drained and new antifreeze 50/50 premix added.

⚠ CAUTION

Steam escaping can cause burns. Do not disassemble pressure relief cap when there is temperature or heat in the engine. The engine must be allowed to cool down before the pressure cap is removed.

Use fresh antifreeze when any cooling system fluid is removed for maintenance or repair 50/50 premix to replace coolant. If the recycling bottle has dried up, check the radiator. The liquid level. Add coolant as needed.



1. Remove the ventilation hood.
2. Remove the pressure cap.
3. Use a funnel and slowly add coolant through the radiator filling port.
4. Reinstall the pressure cap. The use of non-standard pressure caps will affect the normal operation of recovery system.

Your dealer can provide the correct replacement parts.

BRAKE SYSTEM

The front and rear brakes are hydraulic disc brakes that are activated by pressing the brake pedal with your foot. These brakes are self-regulating. As the brake pads wears away, the brake fluid level will drop. Leakage in the system will also cause the fluid level to drop.



WARNING

Brake fluid levels must be checked periodically.
Overfilling of the brake cylinder may cause brake resistance or brake locking, which may result in serious injury or death.
Keep the brake fluid at the recommended level and do not overfill.
Must check brake disc brake disc wear condition regularly.

The following inspection is recommended to keep the braking system in good working condition. If the brake is in heavy use during normal operation, check it frequently.

1. Always keep the brake fluid at an appropriate level. Please refer to master cylinder/brake fluid section for details (page 127).
2. Check the braking system for liquid any leakage.
3. Check whether the brake travels pedal stroke feels too long or feels soft.
4. Check whether the friction gasket is worn, damaged or loose. When replacing the brake gasket, the brake pad must be replaced when the remaining limit thickness of the brake pad is not less than 1mm.
5. Check the safety and surface condition of the disc. Use the recommended brake cleaner to clean any grease. Do not use spray lubricants or other petroleum-based products. If any damage (crack, excessive corrosion, warping) is found, please check the dealer's service before operation with your Segway Powersports dealer before further operation.

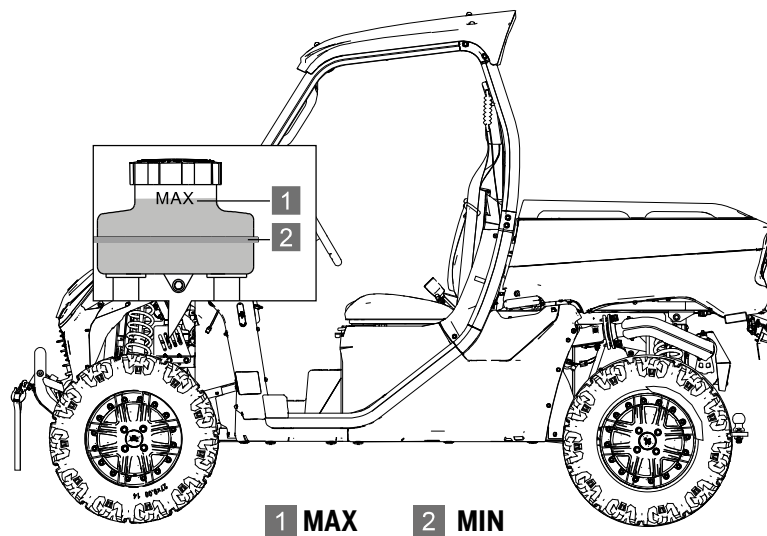
Brake Fluid

Use the recommended brake fluid:

Brake Oil	DOT4
-----------	------

No adjustment is required for the hydraulic assisted braking system. Check the brake oil level of the auxiliary braking system frequently. If the level is shown to be low, perform the following operations. The brake oil cup is located below the front panel.

1. The brake fluid cup is located at the lower left of the front panel
2. Observe the liquid level in the container:



3. The brake fluid level is most suitable between the Max and Min level indicators. If it is lower than the Min indicator, add

the recommended brake fluid and observe the fluid level.

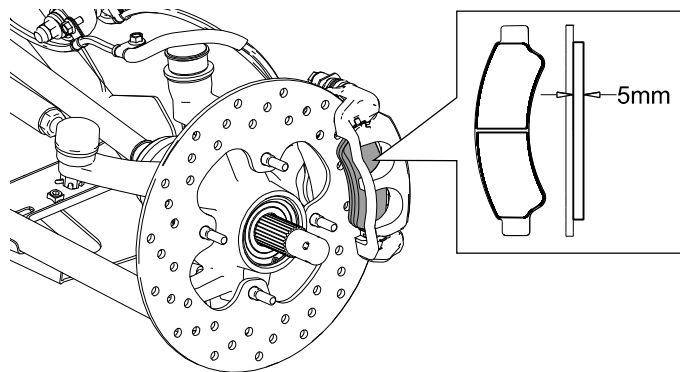
4. Check whether the brake pads are worn.

NOTICE
<p>Brake fluid can damage plastic and painted surfaces and should be added with caution.</p> <p>If the brake fluid comes into contact with the skin or eyes, flush with plenty of water immediately. If you feel sick, seek medical attention immediately.</p>

Brake Pads

Brake pad wear will depend on the severity of the operator and operating conditions. Brake component will wear faster in wet and muddy conditions. Periodically inspect the brake component for wear according to the maintenance periodic table. If the brake pad thickness is less than or equal to minimum thickness of 1.00 mm, the brake component must be replaced.

Brake components thickness	Standard thickness	5.0 mm
	Minimum thickness	1.5 mm



TIRE

Tire Pressure

Driving a vehicle with the incorrect tire pressure may result in the following consequences:

- Reduced fuel efficiency
- Reduced driving comfort and shortened tire life
- Reduction in safety reduction

When checking tire pressure, use the following instructions:

Recommended	Front wheels	Rear wheels
tire pressures	15.0 psi (103 kPa)	16 psi (110 kPa)

- Allow the tire cools down before checking pressure.
- If the vehicle has been parked for at least 3 hours, or has not driven more than 1.5km, the check at this time can get an accurate reading of the cold tire inflation pressure.
- Tire appearance can sometimes be misleading. Even a few pounds less air in a tire can affect driving and handling performance.
- Increased tire pressure is normal after driving, do not reduce the tire pressure after driving.

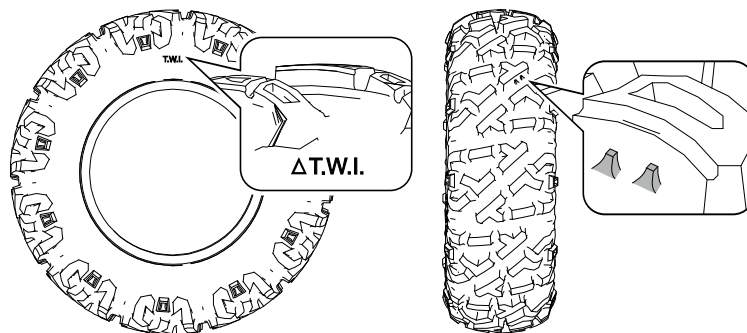
Tread Depth

Inspection method 1:

- Observe the tire wall to find the Tire Ear Indicator (TWI) or “△”, follow the triangle sign to see limit. When the tread reaches the top of the indicator, it is time to replace the tire(s).

Inspection method 2:

Check the wear condition of tire tread block. When the wear condition of tire tread block is at least 1.6mm higher than trad, replace the tire.

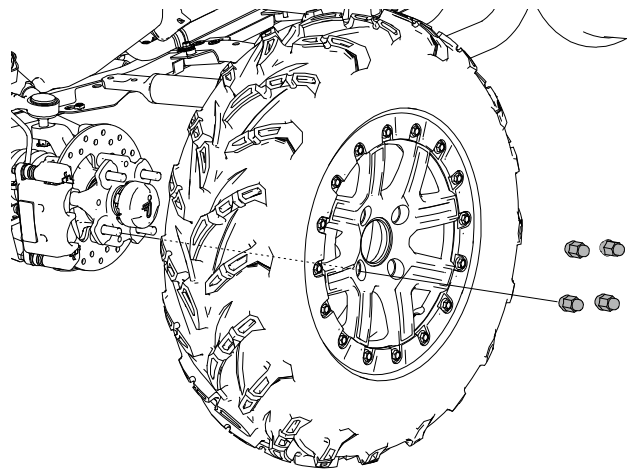
**When to Replace a tire:**

- If tire is damaged, such as a cut, delamination, or a deep crack of the sidewall, or a bulge is all indications that the tire is damaged.
- Tires can have air leaks and cannot be normally repaired due to the size or position of the area of the leak. If you are not sure, consult your Segway Powersports dealer.

Replace the Tires

When the tire tread wear has reached the replacement mark or the tire is damaged due to an external impact, the damaged tire should be replaced.

Wheel Removal



Torque to Specification:

Torque	Mounting nuts: 100-120N·m
---------------	----------------------------------

1. Stop the engine.
2. Put the gear shifter in "P" position.
3. Lock parking brake.
4. Lift the side of the vehicle by placing a suitable jack under the frame.
5. Loosen the four hub mounting nuts.
6. Remove the wheel.

⚠ CAUTION

The loose nut may cause the tire to fall off during operation, which may cause an accident or rollover. Always ensure that all nuts are tightened to the required value 100~120N·m. Do not use lubricating oil or grease on wheel bolts or wheel nuts. Lubricating oil or grease may cause excessive tightening of wheel nuts, resulting in damage to bolt or spoke wheels. In addition, lubricating oil or grease can cause wheel nuts to become loose and wheels may fall off, which can lead to accidents and serious injuries. Remove any lubricating oil or grease from wheel bolts or wheel nuts.

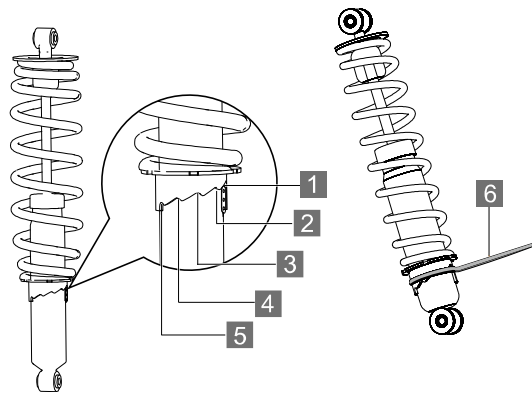
Tire Replacement Size

⚠ WARNING

Do not use wheels of different sizes than recommended in the User's Manual as this can cause the vehicle to lose control.

The recommended size	The front wheel	The rear wheel
		27×9.00-14
	27×9.00R14	27×11.00R14

SHOCK ABSORBER ADJUSTMENT



The spring adjustment sleeve of the hydraulic shock absorber there are 5 adjustment positions, the spring can be adjusted according to different terrain and loading conditions, if you feel too soft and too hard, it can be adjusted by the spring table adjustment.

Position 1 :
Standard position.

Position 2 ~ 5 :
When vehicle load is heavy, it can be adjusted to this position.

Position	Spring	Environment	Load	Terrain	Speed
1	Soft	Soft	Light	Flat	Low
2	↑	↑	↑	↑	↑
3					
4	↓	↓	↓	↓	↓
5	Hard	Hard	Heavy	Bumpy	High

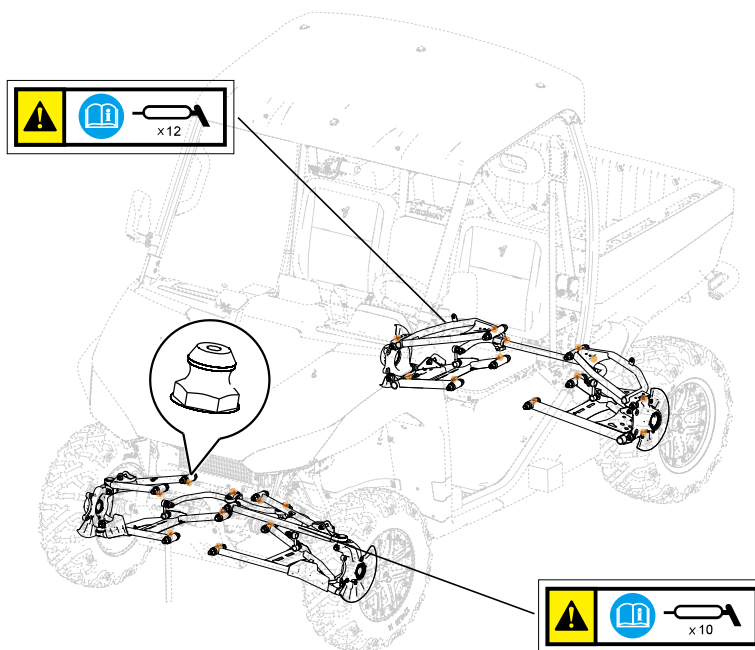
Use crescent wrench **6** to adjust the impact spring pressure.

⚠ CAUTION

When adjusting the shock absorption position, always adjust the left and right shock absorption to the same position. Step up or down one position at a time during adjustment. Do not try to make large adjustments, which may damage the shock absorber.

LUBRICATION

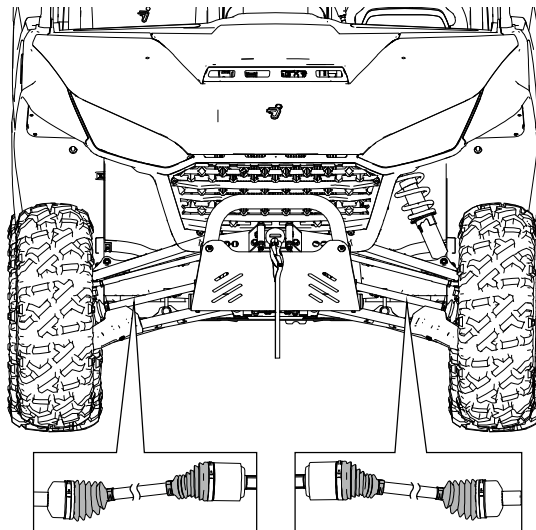
The vehicle's front suspension, rear suspension, drive shaft and balance parts are installed with grease fitting. If you see the label below, there is a grease spot nearby.



These parts on the vehicle need sufficient lubrication. Lubrication can reduce the wear of these parts, and increase the service life of the vehicle. Follow the periodic maintenance table to add appropriate grease at the right intervals.

Front/Rear Drive Axle Dustcover

Check for cuts, damage or grease leakage in the front and rear drive axle dust boots. If you find an damage or grease leakage, please contact your Segway Powersports dealer for replacement.



AIR FILTER

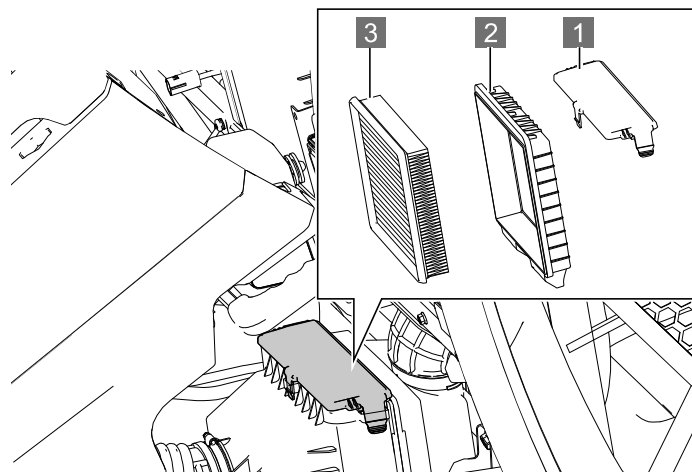
The vehicle utilizes a two-stage air filtration system. The air passes through the primary filter first and then the secondary air filter last. This two-stage air filtration system fully meets the needs of the engine.

The air filter core shall be replaced regularly according to the periodic maintenance table. The primary filter screen must be cleaned every time the air filter core is replaced.

Replacing Air Filter element

The air filter element needs to be changed after using for a period of time, as shown in the specific cycle

Maintenance Interval (page 97-99)

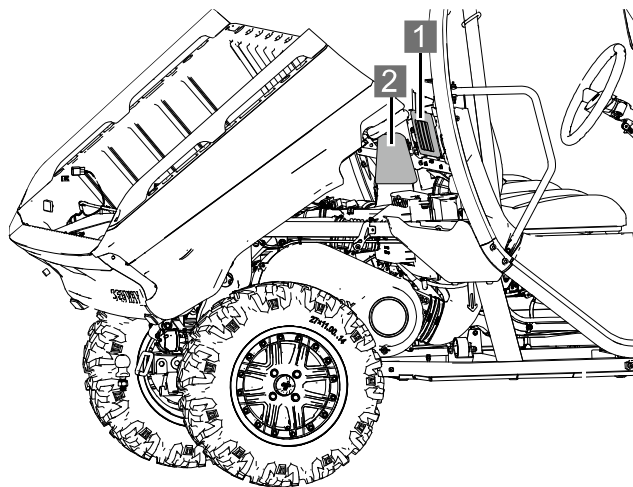


1 Air filter cover **2** Filter element box **3** Filter element

The air filter is located at the bottom right of the cargo box, turn the cargo box over to open.

1. Press the plastic buckle on the air filter cover, and pull out the air filter cover **1**
2. Pull out the air filter box .
3. Take out the filter element **3** from the box, clean or replace the filter element according to the cleanliness of the filter element.
4. Reinstall the filter element on the filter.
5. Reinstall the air filter cover.

Air filter inlet cap and CVT inlet mesh fabric



1 Air filter inlet cap

2 CVT inlet mesh fabric

Check the air filter inlet cap and CVT inlet mesh fabric every day.

The air filter inlet cap and CVT inlet mesh fabric is located at the bottom right of the cargo box, turn the cargo box over to open. clean it if necessary, and replace it if damaged.



WARNING

When assembling the filter element, please make sure that the buckles of the filter element and the end cover are installed in place, otherwise it will cause the engine to malfunction or reduce the service life

When the vehicle is driving in a dusty environment, please shorten the time interval for checking the filter element

The air filter is soaked or the filter element is wet, please drain the water and replace the filter element

LAMP

⚠ CAUTION

Poor lighting can result in reduced visibility while driving. Please clean the headlamps frequently and replace non-working headlamps promptly.

To ensure optimum visibility and safety, make sure the lights are properly adjusted.

Change the headlight

LED lights

LED lights consist of multiple lights. If any LED burns out, please send the vehicle to the dealer for replacement.

Halogen lamp

If the halogen bulb is damaged, it can be replaced. You can replace the following lamps yourself. The ease of replacement varies according to the bulb types. Due to possible damage, we recommend that the parts are better to be replaced by the dealers.

In the following cases, contact your dealer for more information. It doesn't mean malfunction if condensed water appears inside the headlamp lens temporarily.

- There are big beads of water inside the lens.
- Condensation of water inside the headlamp.

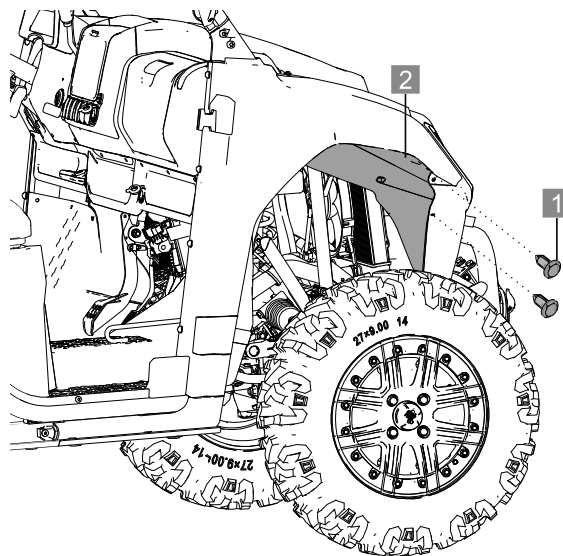
⚠ CAUTION

Hot ingredients can cause skin burns. Allow the lights to cool before doing maintenance.

DO NOT touch the headlight shade bulb glass. Fingerprints on the glass can to cause premature failure.

Execute the following procedure:

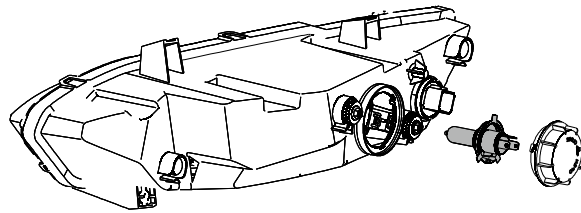
1. Remove the headlamp shade expansion screw and remove the headlamp cover with the tool.



1 Expansion screw 2 Headlight guard

2. Twist clockwise and turn off the cover of the headlamp.
3. Remove the wire harness connector on lamp and take out the

broken bulb.



4. Reinstall the new light into the new bulb and turn on the headlight.
5. Test whether headlight is working properly.
6. Press the fixed spring on both sides to make the spring pop out of the slot.
7. Remove the broken light bulb

⚠ CAUTION

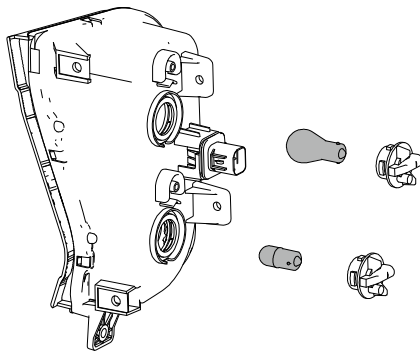
Please replace lamp with the recommended power.

Reinstall the new lamp into the new headlight assembly. The installation procedure is opposite to the disassembly procedure. After installation, turn on the headlight switch to test whether the lamp is working properly.

Replace taillight/rear turn light

Procedures for changing taillights:

Remove rear light cover.



1. Unscrew the rear light holder.
2. Turn the bulb that needs to be replaced on the taillight seat from left to right. When the limit bead at the end of the bulb gets stuck in the limit slot of the lamp seat, the damaged bulb can be taken out and replaced with a new bulb with the same power.
3. Test whether the lamp works normally.

High beam adjustment

The headlight beam can be adjusted slightly up/down. Use the following procedure to make adjustments.

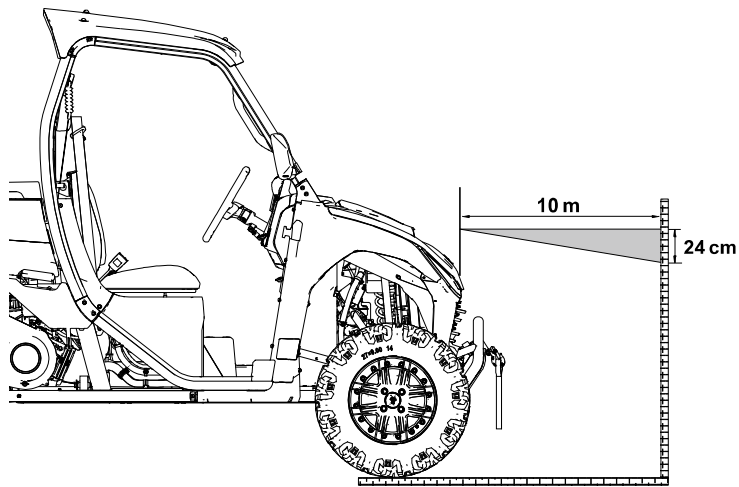
⚠ CAUTION

The following pictures are for reference only. Your model may be slightly different.

It is best for a Segway dealer to adjust if conditions permit.

SEGWAY MAINTENANCE, STORAGE AND TRANSPORTATION

1. Place the vehicle on a level surface with the headlight approximately 10 m from a wall.

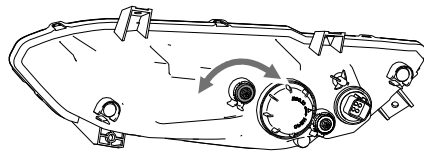


2. Measure the distance from the floor to the center of the headlights and mark the walls at the same height.
3. Apply the brakes. Start the engine. Turn on the headlights.
4. Observe the headlight aim. The most intense part of the headlight beam should be aimed 24cm below the mark placed on the wall. Include the weight of a rider on the seat while performing this step.
5. If a headlight needs adjustment, locate the adjustment screw at the back of the headlight(see page 144).

Adjust the headlight beam upwards and downwards

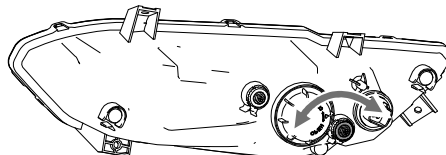
To raise the headlight beam, turn the headlight adjusting screw counterclockwise.

To lower the headlight beam, turn the headlight speed adjustment screw clockwise.



Adjust the headlight beam left and right

The headlight beam can be adjusted from left or right.



To turn the headlight beam to the left, turn the headlight adjustment screw counterclockwise.

To turn the headlight beam to the right, turn the headlight speed adjustment screw clockwise.

SPARK ARRESTER

Spark arrester prevents random sparks from entering other parts of the vehicle. Regular maintenance can prevent carbon accumulation, maintenance will reduce engine performance if the maintenance is not done.

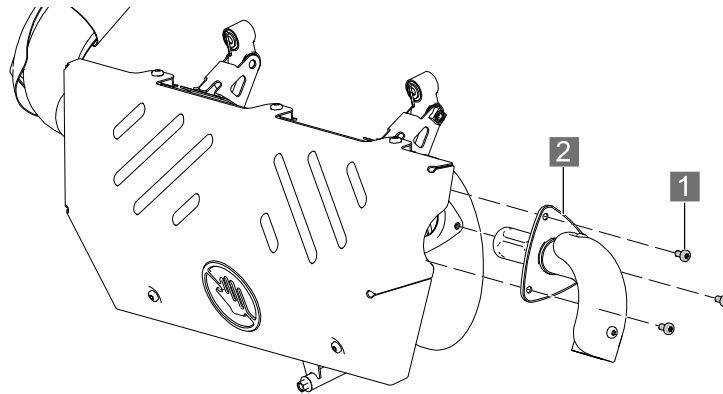
⚠ WARNING

Make sure the exhaust pipes are cool.

Ensure that there are no combustible materials in the area when maintaining the vehicle.

Safety glasses are recommended in this procedure.

The exhaust pipe must be cleaned periodically of any accumulated carbon :



1 Pan head screw M6×16 2 Muffer spark suppressor

MAINTENANCE, STORAGE AND TRANSPORTATION **SEGWAY**

1. Remove the 3 fastening bolts **1** on the muffler spark suppressor **2**.
2. Remove the muffler spark suppressor.
3. Use a non-synthetic brush to clean the arrester screen. A synthetic brush may melt if components are warm. If necessary, blow debris from the screen with compressed air.
4. Inspect the screen for wear and damage. Replace a worn or damaged screen.
5. Reinstall the muffler spark suppressor and fastening screws.

BATTERY

Due to natural discharge and leakage effects of some electrical equipment, the 12V battery will discharge gradually even when the vehicle is not in use. If the vehicle is parked for a long time, the 12V battery may discharge and may not start. Please charge the battery slowly one time a month if not in use. This will maintain the battery life cycle.

 **WARNING**

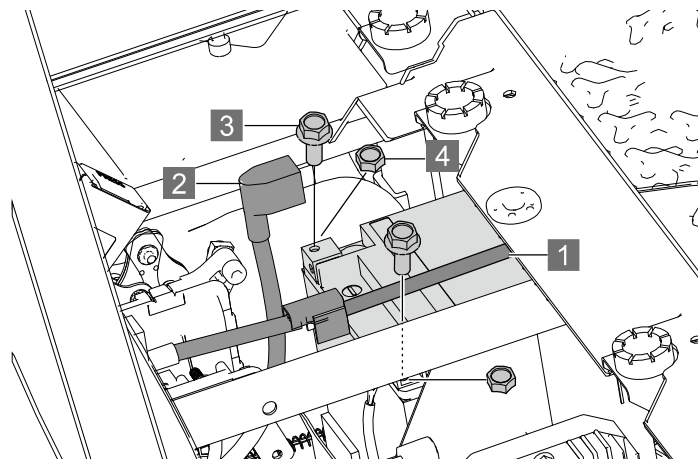
12V batteries contain toxic and corrosive sulfuric acid and may produce flammable explosive hydrogen gas. To reduce the risk of serious injury or death, the following precautions should be observed when handling 12V batteries or working near them:

- **Do not smoke or light a match near a 12V battery.**
- **Avoid splashing electrolyte on eyes, skin and clothes.**
- **Wear safety goggles when working near 12V battery.**
- **Keep children away from 12V batteries.**
- **Be sure to charge the 12V battery in an open area. Do not charge a 12V battery in a poorly ventilated garage or enclosed room.**

Battery Removal

NOTICE

If the electrolyte overflows, immediately wash it off with a solution of 1 tablespoon baking soda and 1 cup water to prevent damage to the vehicle.



The battery is located under the middle of the seat. If you want to replace or maintain the battery, please remove the passenger seat and cover (see page 41 for details).

Turn the power off before removing battery.

- 1 Battery pull strap**
- 2 Protective rubber sleeve**
- 3 Positive and negative anchor bolts for cable**
- 4 Positive and negative anchor nuts for cable**

1. Remove the 2 battery pull straps
2. Turn up the Protective rubber sleeve.
3. Remove the battery negative pole screw and disconnect the black (negative) battery cable.
4. Remove the battery positive pole screw and disconnect the red (positive) battery cable.
5. Remove the battery.

Battery Charging

NOTICE

When charging, the hydrogen produced by the 12V battery is combustible explosive gas. Please follow the following precautions before charging:

If charging the 12V battery is still installed in the vehicle, be sure to disconnect the ground cable.

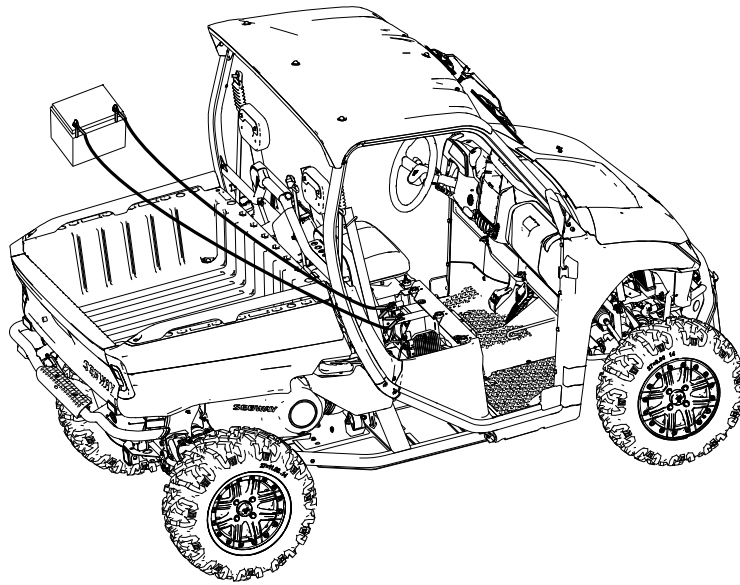
Make sure the power switch on the charger is off when connecting and disconnecting the charger cable to the 12V battery.

Only charge slowly (5A or less), if not the 12V battery may explode.

Measures to be taken in an emergency

1. Connect the clamp of the positive jumper cable to the special jumper starting terminal of the vehicle.
2. Connect the clamp on the other end of the positive cable to the positive (+) terminal of another vehicle.
3. Connect the negative cable clamp to the negative battery terminal of another vehicle.
4. As shown, connect the clamp on the other end of the negative

cable to a separate clamp.



Battery Installation

NOTICE

To reduce the chance of sparks, disconnect the black (negative) cable first. When reinstalling the battery, install the black (negative) cable last.

1. Clean battery cables and terminals with a hard wire brush. Corrosion can be removed with a solution of 1 cup water and 1 tablespoon baking soda. Rinse well and dry thoroughly.

SEGWAY MAINTENANCE, STORAGE AND TRANSPORTATION

2. Put the battery in the tray.
3. Connect and tighten the red (positive) cable.
4. Connect and tighten the black (negative) cable.
5. Install the battery press plate.
6. Tighten the battery clamp bolt.
7. Verify that cables are properly wired.

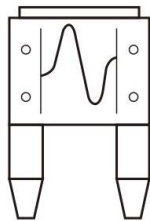
FUSE

All circuits on the vehicle have fuses to protect electrical equipment from damage caused by high current (short circuit or overload).

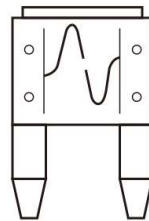
If any of the electrical parts do not work, the fuse may have blown. If this happens, check and replace the fuse if necessary. You can consider electrical faults, first check whether the fuse needs to be replaced, if it is found to have blown, replace the blown fuse. There is a spare fuse in the fuse box. Check all fuses for other possible causes. Replace all blown fuses and check the working condition of components. All fuses are concentrated in the fuse box. In the event of a system failure, see "Fuse Distribution and Ampere rating" for details of which fuses to check.

NOTICE

- **Do not use a fuse above the rated ampere value or replace it with anything else.**
- **Please use the same product. Never use wires for fuses, even temporary replacements are not allowed.**
- **Do not modify fuses or fuse boxes.**



Normal fuse



Blow fuse

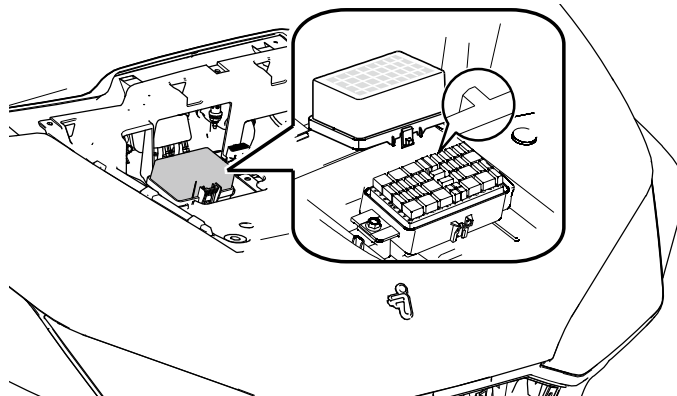
Fuse Box

The fuse box is located under the front instrument panel. Remove the front panel repair cover as shown in page 101.

After the front panel repair cover has been removed, the fuse box is located at the bottom. Move the clasp on the left and right sides of the fuse box cover. Loosen the clasp and open the fuse box.

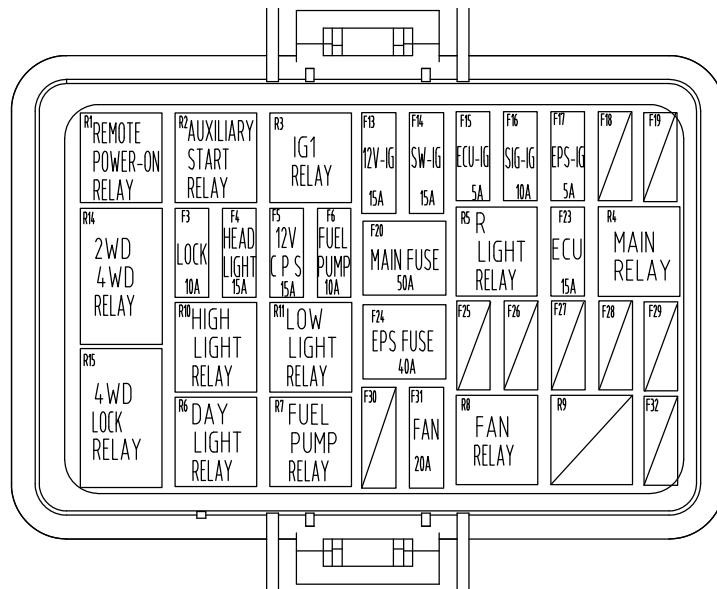
NOTICE

**Pay attention to the direction of installation.
The label may be slightly different from the image below.**



Fuse/Relay Distribution and Rated Amperage

There is a . You can refer to the fuse distribution label on the top of the fuse box cover to find a fuse of the same power for replacement.



Rated amperage of fuse/relay and distribution

SEGWAY MAINTENANCE, STORAGE AND TRANSPORTATION

No.	Fuse/Relay	Power
F3	LOCK FUSE	10A
F4	HEAD LIGHT FUSE	15A
F5	12V C P S FUSE	15A
F6	FUEL PUMP FUSE	10A
F13	12V-IG FUSE	15A
F14	SW-IG FUSE	15A
F15	ECU-IG FUSE	5A
F16	SIG-IG FUSE	10A
F17	EPS-IG FUSE	5A
F20	MAIN FUSE	50A
F23	ECU FUSE	15A
F24	EPS FUSE	40A
F31	FAN FUSE	20A
R1	REMOTE POWER-ON RELAY	12V 20A
R2	AUXILIARY START RELAY	12V 20A
R3	IG1 RELAY	12V 20A
R4	MAIN RELAY	12V 20A
R5	R LIGHT RELAY	12V 20A
R6	DAY LIGHT RELAY	12V 20A
R7	FUEL PUMP RELAY	12V 20A
R8	FAN RELAY	12V 20A
R10	HIGH LIGHT RELAY	12V 20A
R11	LOW LIGHT RELAY	12V 20A
R14	2WD 4WD RELAY	12V 20A
R15	4WD LOCK RELY	12V 20A

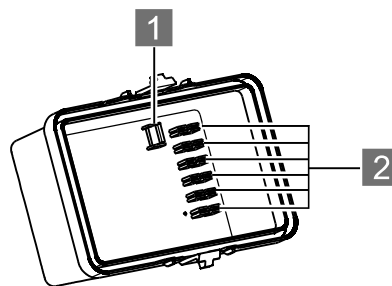
Fuse Box Replacement

To prevent an accidental short circuit, turn the ignition switch to the (OFF) position and check or replace the fuse(s).

To check or replace the circuit fuse, pull out the old fuse with a puller.

The fuse box cover is equipped with a puller. Using this tool will help you take out the fuse.

The fuse box cover is fitted with a common fuse which can be replaced.



1 Puller

2 Spare fuse

NOTICE

If a replacement fuse suitable for the circuit rating is not available, install a lower rated fuse.

APPEARANCE CARE

Vehicle Washing

High pressure water can damage parts and remove paint and decals.

1. Cover or plug the exhaust outlet prior to washing your vehicle.
2. Fill a bucket with water. Mix in a mild, neutral detergent, such as dish washing liquid or a product made especially for washing motorcycles or automobiles.
3. Wash your vehicle with a sponge or soft towel. As you wash, check for heavy grime. If necessary, use a mild cleaner/degreaser to remove the grime.
4. After washing, rinse your vehicle thoroughly with plenty of clean water to remove any residue. Detergent residue can corrode alloy parts.
5. Dry your vehicle with a chamois or a soft towel. Leaving water on the surface to air dry can cause dulling and water spots. As you dry, inspect for chips and scratches.
6. As a precaution, ride your vehicle at a slow speed and apply the brakes several times. This will help dry the brakes and restore normal braking performance.

Vehicle Storage

When the vehicle is not used for a long time, it should be appropriately stored. The vehicle should be parked and cleaned. If there is no indoor storage conditions, covered outdoor storage is recommended.



SPECIFICATIONS

TECHNICAL PARAMETERS OF VEHICLE	159
VEHICLE IDENTIFICATION NUMBER	163
The frame nameplate	165

TECHNICAL PARAMETERS OF VEHICLE

Item	Parameters
	SGW1000F-U2
VEHICLE	
Length×width×height	3075 mm×1599 mm×2065 mm
Wheelbase	2085 mm
Front axle track	1350mm
Rear axle track	1320 mm
Curb weight	750 kg
Ground clearance	320 mm
Turning circle diameter	8500 mm
Height of seat cushion from the ground	500 mm
Steering wheel diameter	350 mm
Maximum weight capacity	680 kg
EPS type	Electric (Optional)
Air filter type	Paper filter type
Muffler type	Impedance
Shift operation mode	Mechanical
Tank	45 L
Coolant capacity	6800 mL
POWER/TRANSMISSION	
Engine type	Double cylinder Liquid cooling 4 strokes
Engine model	293MY-1
Displacement	1000 CC
Compression ratio	10.9 : 1
Bore×Stroke	93 mm×73.6 mm

SPECIFICATIONS

SEGWAY

Starting method		Electric start
Ignition type		Electricity(ECU)
Spark plug type		NGK CPR7EA /TORCH B7RTC
Spark plug clearance		0.7-0.9 mm
Lubrication method		Liquid
Cooling method		Liquid
Lubricating oil	Engine	SAE 5W-40/SN Or higher
	Gearbox	SAE 75/80W-90 GL5
	Front Axle	SAE 75/80W-90 GL5
Lubricating oil volume	Engine	3000 mL
	Gearbox	1400 mL
	Front Axle	230 mL
Generator power		580W
Fuel label number		92#
CVT transmission ratio		0.891~3.608
Primary transmission ratio		H: 1.2
		L: 2.15
		R: 2.388
Secondary transmission ratio		1.8
Three-stage transmission ratio		1.52
Final transmission ratio		To Fr. Bridge : 0.95
Power transmission method		Axle
Fr. Bridge		3.67
Rr. Bridge		3.3125
TIRE		
Rim type (Specification)	Fr. Wheel	Aluminum rim (14×6.5) or Steel rim (14×6.0)
	Rr. Wheel	Aluminum rim (14×7.0) or Steel rim (14×7.5)

Tire type (Specification)	Fr. Wheel	27×9.00 - 14	27×9.00-14
	Rr. Wheel	27×9.00R14	27×11.00R14
Tire pressure	Fr. Wheel	15.0 PSI. (103 Kpa)	
	Rr. Wheel	16.0 PSI. (110 Kpa)	
Driving brake	Type	Hydraulic/Disc	
	Operation method	Right feet	
Parking brake	Type	Mechanic, Automatic compensation type	
	Operation method	Hand	
SUSPENSION			
Fr. Suspension stroke		280 mm	
Rr. Suspension stroke		270 mm	
Suspension type	Fr.	Double-wishbone independent Suspension	
	Rr.	Double-wishbone independent suspension	
Shock absorber	Fr.	Hydraulic spring	
	Rr.	Hydraulic spring	
ELCTRIC			
Headlight	Headlight	55W×2-32000cd (H4)	
	Fr. Position light	LED×2	
	Daytime Running Light	LED×2	
	Fr.Winker	Amber LED	

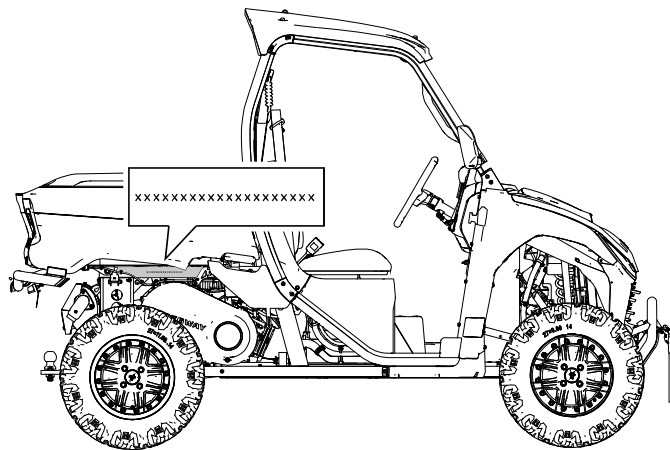
SPECIFICATIONS

SEGWAY

Tail light	Rr.Brake light	Red 21W (P21/5W)
	Rr. Position light	Red 5W (P21/5W)
	Rr.Winker	Amber 10W (RY10W)
license plate light		White 5W (W5W) /LED
Battery (Capacity)		Maintenance-free/lead acid (12V 32Ah)
Dashboard		TFT screen(LCD screen,optional)
Winch (lb/m)		3500 (2500) (4500)

VEHICLE IDENTIFICATION NUMBER

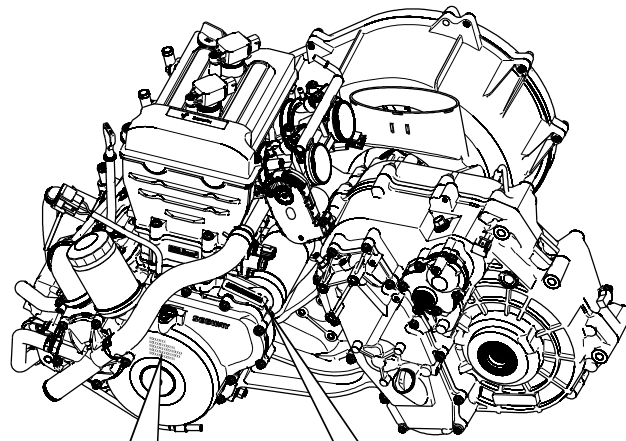
Record the frame identification code and engine serial code in the spaces provided for assistance when ordering spare parts from a dealer or for reference in case the vehicle is stolen.


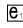


Frame identification code	
---------------------------	--

SPECIFICATIONS

SEGWAY



Make: 
Mfg date: xxx.xx (Year, month)
FT: 293MY 293MY
 AT1/P V-###

Statuary Marking

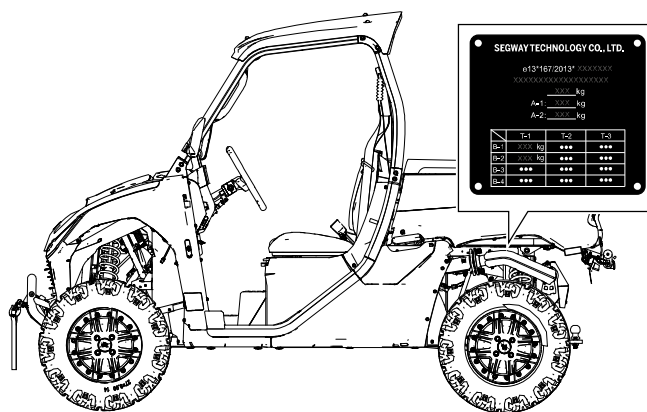
XXXXXXXXXXXXXXXXXXXX

Engine serial code

Engine serial code	
--------------------	--

The frame nameplate

The nameplate shows the basic characteristics information which include VIN code. It needs the VIN when the vehicle requires activate in the first time.





TROUBLESHOOTING

Drive belt and cover problems	167
Engine doesn't turn over	169
Engine pings or knocks.....	169
Engine stops or loses power	170
Engine turns over, fails to start	170
Engine backfires.....	171
Engine runs irregularly, stalls or misfires.....	172
Engine runs irregularly, stalls or misfires.....	173
Engine stops or loses power	174

With all the challenges you can encounter on-road, there's a chance that sometime something may go wrong. This section gives practical advice to help you deal with a wide range of problems. Take time to read this section before you ride.

Drive belt and cover problems

Possible Cause	Solution
Driving the vehicle onto a pickup or tall trailer in high range	Shift transmission to low range during loading of the vehicle to prevent belt burning
Starting out going up a steep incline	When starting out on an incline, use low range (see page 75)
Driving at low RPM or low ground speed (at approximately 5-10 km/h)	Drive at a higher speed or use low range more frequently. The use of low range is highly recommended for cooler CVT operating temperatures and longer component life
Insufficient warm-up of vehicle exposed to low ambient temperatures	Warm the engine before driving, the belt will become more flexible and prevent belt burning
Slow and easy clutch engagement	Use the throttle quickly and effectively for efficient engagement
Towing/pushing at low RPM/low ground speed	Use low range only
Utility use/plowing snow, dirt, etc	Use low range only

TROUBLESHOOTING

SEGWAY

Possible Cause	Solution
Stuck in mud or snow	Shift the transmission to low range, and carefully use fast, aggressive throttle application to engage clutch. WARNING: Excessive throttle may cause loss of control and vehicle overturn
Climbing over large objects from a stopped position	Shift the transmission to low range, and carefully use fast, brief, aggressive throttle application to engage clutch. Excessive throttle may cause loss of control and vehicle overturn
Belt slippage from water or snow ingestion into the CVT system	Remove the CVT cover, drain the water from CVT
Clutch malfunction	Contact your dealer for inspection of clutch components

Engine doesn't turn over

Possible Cause	Solution
Poor engine performance	Check for fouled plugs or foreign material in gas tank, fuel lines, or throttle. Contact your dealer for service.
Tripped circuit breaker	Reset the breaker
Low battery voltage	Recharge battery to 12.5 VDC
Loose battery connections	Check all connections and tighten
Loose solenoid connections	Check all connections and tighten

Engine pings or knocks

Possible Cause	Solution
Poor quality or low octane fuel	Replace with recommended fuel
Incorrect ignition timing	See your dealer
Incorrect spark plug gap or heat range	Set gap to specs or replace plugs

Engine stops or loses power

Possible Cause	Solution
Overheated engine	Clean radiator screen and core if equipped Clean engine exterior See your dealer

Engine turns over, fails to start

Possible Cause	Solution
Out of Fuel	Refuel
Clogged fuel valve or filter	Inspect and clean or replace
Water is present in fuel	Drain the fuel system and refuel
Fuel valve is out of use	Replace
Old or non-recommended fuel	Replace with new fuel
Fouled or defective spark plug(s)	Inspect plug(s), replace if necessary
No spark to spark plug	Inspect plug(s), verify stop switch is on
Crankcase filled with water or fuel	Immediately see your dealer
Overuse of choke	Inspect, clean and/or replace spark plugs

Clogged fuel injector	Clean or replace new fuel injector
Low battery voltage	Recharge battery to 12.5 VDC
Mechanical failure	See your dealer

Engine backfires

Possible Cause	Solution
Weak spark from spark plugs	Inspect, clean and/or replace spark plugs
Incorrect spark plug gap or heat range	Set gap to specs or replace plugs
Old or non-recommended fuel	Replace with new fuel
Incorrectly installed spark plug wires	See your dealer
Incorrect ignition timing	See your dealer
Mechanical failure	See your dealer

Engine runs irregularly, stalls or misfires

Possible Cause	Solution
Fouled or defective spark plugs	Inspect, clean and/or replace spark plugs
Worn or defective spark plug wires	See your dealer
Incorrect spark plug gap or heat range	Set gap to specs or replace plugs
Loose ignition connections	Check all connections and tighten
Water present in fuel	Replace with new fuel
Low battery voltage	Recharge battery to 12.5 VDC

Engine runs irregularly, stalls or misfires

Possible Cause	Solution
Kinked or plugged fuel vent line	Inspect and replace
Incorrect fuel	Replace with recommended fuel
Clogged air filter	Inspect and clean or replace
Reverse speed limiter malfunction	See your dealer
Electronic throttle control malfunction	See your dealer
Other mechanical failure	See your dealer
Possible Lean or Rich Fuel Mixture Cause	Solution
Low or contaminated fuel	Add or change fuel, clean the fuel system
Low octane fuel	Replace with recommended fuel
Clogged fuel filter	Replace filter
Incorrect jetting	See your dealer
Overuse of choke	Inspect, clean and/or replace spark plugs
Fuel is very high octane	Replace with lower octane fuel

Engine stops or loses power

Possible Cause	Solution
Out of fuel	refuel
Kinked or plugged fuel vent line	Inspect and replace
Water present in fuel	Replace with new fuel
Overuse of choke	Inspect, clean and/or replace spark plugs
Fouled or defective spark plugs	Inspect, clean and/or replace spark plugs
Worn or defective spark plug wires	See your dealer
Incorrect spark plug gap or heat range	Set gap to specs or replace plugs
Loose ignition connections	Check all connections and tighten
Low battery voltage	Recharge battery to 12.5 VDC
Clogged air filter	Inspect and clean or replace
Reverse speed limiter malfunction	See your dealer
Electronic throttle control malfunction	See your dealer
Other mechanical failure	See your dealer



EMISSION CONTROL SYSTEM

SOURCE OF EXHAUST EMISSIONS	176
EXHAUST EMISSION CONTROL SYSTEM	176
CRANKCASE EMISSION CONTROL SYSTEM	176
NOISE CONTROL SYSTEM	176
Declaration of Driver's exposure to noise level.....	177
Declaration of Vibration declaration.....	178

SOURCE OF EXHAUST EMISSIONS

The combustion process produces carbon monoxide(CO),oxides of nitrogen(NO_x)and hydrocarbons(HC).Control of hydrocarbons and oxides of nitrogen is very important because, under certain conditions, they react to form photochemical smog when subjected to sunlight. Carbon monoxide does not react in the same way, but it is toxic.

EXHAUST EMISSION CONTROL SYSTEM

The exhaust emission control system includes a PGM-F system and oxygen sensor.

No adjustments to this system should be made although periodic inspection of the components is recommended.

The exhaust emission control system is separate from the crankcase emission control system.

CRANKCASE EMISSION CONTROL SYSTEM

The engine is equipped with a closed crankcase system to prevent discharging crankcase emissions into the atmosphere. Blow-by gas is returned to the combustion chamber through the air cleaner.

NOISE CONTROL SYSTEM

Do not modify the engine,air intake or exhaust components, in order to meet local noise level requirements.

Declaration of Driver's exposure to noise level


The undersigned: Zhu kun, General Manager
Company name and address of the manufacturer:
Segway Technology Co., Ltd.
No. 395, Xiacheng South Road, Wujin National High-tech Industrial
Development Zone, Changzhou, Jiangsu, China

Hereby declares that:
For the following vehicle:

- 1.1. Make (trade name of the manufacturer): SEGWAY
- 1.2. Type: SGW1000F-U2
 - 1.2.1. Variant(s): SGW1000F-U2
 - 1.2.2. Version(s): A, B
 - 1.2.3. Commercial name(s) (if available):
Fugleman UT10, Fugleman UT10 E, Fugleman UT10 X,
Fugleman 1000, Fugleman 1000 E, Fugleman 1000 X
- 1.3. Category, subcategory and speed index of the vehicle:
Variant/Version: SGW1000F-U2/A : T1a
Variant/Version: SGW1000F-U2/B : T1b

The Driver's exposure to noise level result is
Variant/Version: SGW1000F-U2/A : 85.9 dB(A),
Variant/Version: SGW1000F-U2/B : 85.8 dB(A),
(Limit: 86 dB(A)) according to test method 2 in accordance with :section
3 of Annex XIII to EU 1322/2014.

Place: Changzhou, China Date: 09 July 2021

Signature:  Name and position in the company: Zhu kun,
General Manager

Declaration of Vibration declaration

The undersigned: Zhu kun, General Manager
 Company name and address of the manufacturer:
 Segway Technology Co., Ltd.
 No. 395, Xiacheng South Road, Wujin National High-tech Industrial
 Development Zone, Changzhou, Jiangsu, China

Hereby declares that:
 For the following vehicle:

- 1.4. Make (trade name of the manufacturer): SEGWAY
- 1.5. Type: SGW1000F-U2
- 1.2.1. Variant(s): SGW1000F-U2
- 1.2.2. Version(s): A, B
- 1.2.3. Commercial name(s) (if available):
 Fugleman UT10, Fugleman UT10 E, Fugleman UT10 X,
 Fugleman 1000, Fugleman 1000 E, Fugleman 1000 X
- 1.6. Category, subcategory and speed index of the vehicle:
 Variant/Version: SGW1000F-U2/A : T1a
 Variant/Version: SGW1000F-U2/B : T1b

The value of the vibration level measured according to Annex XIV to EU
 1322/2014 is

Driver mass	a_{wS} m/s ²	a_{wB} m/s ²	a_{wS}/a_{wB}	Requirement
59±1kg	Test run 1	0.68	1.80	Deviation<10% between test run 1/2 and Arithmetic mean, $a_{wS}<1.25$ m/s ²
	Test run 2	0.69	1.84	
	Arithmetic mean	0.69	1.82	
98±5kg	Test run 1	0.63	1.72	
	Test run 2	0.66	1.75	
	Arithmetic mean	0.65	1.73	

a_{wS} ,rms value of the weighted seat vibration acceleration measured
 during a standard roadway test

Place: Changzhou, China Date: 09 July 2021

Signature: *zhukun* Name and position in the company: Zhu kun,
 General Manager



WARRANTY

LIMITED WARRANTY	180
REGISTRATION	180
EXCLUSIONS-ARE NOT WARRANTED	180
LIMITATIONS OF WARRANTIES AND REMEDIES.....	181
MAINTENANCE LOG	184

LIMITED WARRANTY

SEGWAY TECHNOLOGY CO., LTD gives a LIMITED WARRANTY on components of your new SEGWAY vehicle against defects in parts or workmanship when properly set up and operated in accordance with the recommendations set forth in the SEGWAY Owner's Manual. SEGWAY gives a TWO (2) YEAR limited warranty for use of the vehicle. For commercial use, SEGWAY gives a SIX (6) MONTHS limited warranty. This warranty covers parts and labor charges for repair or replacement of defective parts and begins on the date of purchase by the original retail purchaser.

This warranty is transferable to another owner during the warranty period through a SEGWAY dealer, but any such transfer will not extend the original term of the warranty. The duration of this warranty may vary by international region based upon local laws and regulations.

REGISTRATION

At the time of sale, the Warranty Registration Form must be completed by your dealer and submitted to SEGWAY within ten days of purchase. Upon receipt of this registration, SEGWAY will record the registration for warranty.

EXCLUSIONS-ARE NOT WARRANTED

The following are not warranted under any circumstances:

1. Normal wear and tear.
2. Routine maintenance items, tune-ups, adjustments.

3. Damage caused by failure to provide proper maintenance and/or storage, as described in the Owner's Manual.
4. Damage resulting from removal of parts, improper repairs, service, maintenance, or use of parts not manufactured or approved by SEGWAY or resulting from repairs done by a person that is not an authorized servicing SEGWAY dealer.
5. Damage caused by abuse, abnormal use, neglect or operation of the product in a manner inconsistent with the recommended operation described in the Owner's Manual.
6. Damage resulting from accident, submersion, fire, theft, vandalism or any force majeure.
7. Operation with fuels, oils or lubricants which are not suitable for use with the product. (see the section " Technical parameters of vehicle "on Owner's Manual).
8. Damages from rust, corrosion resulted from salty water or corrosive material.
9. Damage resulting from the racing or any other competitive activity.
10. Damage resulting from the vehicle has been altered or modified in such a way so as to adversely affect its operation, performance or durability, or has been altered or modified to change its intended use.

LIMITATIONS OF WARRANTIES AND REMEDIES

This limited warranty excludes any failures that are not caused by a defect in material or workmanship. This warranty provides no coverage for consumable components, general wear items, or any parts exposed to friction surfaces, stresses, environmental conditions and/or contamination for which they were not

WARRANTY

SEGWAY

designed or not intended, including but not limited to the following items:

- Batteries
- Bearings
- Brake components
- Bushings
- Throttle body components
- Circuit breakers/fuses
- Clutches components
- Coolants
- Drive belts
- Electronic components
- Engine components
- Filters
- Finished/unfinished surfaces
- Hydraulic components/fluids
- Light bulbs/lamps
- Lubricants
- Sealants
- Seat components
- Spark plugs
- Steering components
- Suspension components
- Wheels and tires

This warranty provides no coverage for personal loss or expense, including mileage, transportation costs, hotels, meals, shipping or handling fees, product pick-up or delivery, replacement rentals, loss of product use, loss of profits, or loss of vacation or personal time.

THE EXCLUSIVE REMEDY FOR BREACH OF THIS WARRANTY SHALL BE, AT SEGWAY' OPTION, REPAIR OR REPLACEMENT OF ANY DEFECTIVE MATERIALS, COMPONENTS, OR PRODUCTS. THE REMEDIES SET FORTH IN THIS WARRANTY ARE THE ONLY REMEDIES AVAILABLE TO ANY PERSON FOR BREACH OF THIS WARRANTY. SEGWAY SHALL HAVE NO LIABILITY TO ANY PERSON FOR INCIDENTAL, CONSEQUENTIAL OR SPECIAL DAMAGES OF ANY DESCRIPTION, WHETHER ARISING OUT OF EXPRESS OR IMPLIED WARRANTY OR ANY OTHER CONTRACT, NEGLIGENCE, OR OTHER TORT OR OTHERWISE. THIS EXCLUSION OF CONSEQUENTIAL, INCIDENTAL, AND

SEGWAY

WARRANTY

SPECIAL DAMAGES IS INDEPENDENT FROM AND SHALL SURVIVE ANY FINDING THAT THE EXCLUSIVE REMEDY FAILED OF ITS ESSENTIAL PURPOSE. THE IMPLIED WARRANTY OF FITNESS FOR A PARTICULAR PURPOSE IS EXCLUDED FROM THIS LIMITED WARRANTY. ALL OTHER IMPLIED WARRANTIES (INCLUDING BUT NOT LIMITED TO THE IMPLIED WARRANTY OF MERCHANTABILITY) ARE LIMITED IN DURATION TO THE ABOVE SIX MONTH WARRANTY PERIOD. SEGWAY DISCLAIMS ALL EXPRESS WARRANTIES NOT STATED IN THIS WARRANTY. SOME STATES DO NOT PERMIT THE EXCLUSION OR LIMITATION OF INCIDENTAL OR CONSEQUENTIAL DAMAGES OR ALLOW LIMITATIONS ON THE DURATION OF IMPLIED WARRANTIES, SO THE ABOVE LIMITATIONS MAY NOT APPLY TO YOU IF INCONSISTENT WITH CONTROLLING REGION LAW.

MAINTENANCE LOG

Use the following chart to record periodic maintenance.

VIN	Date	Miles(Km)or Hours	Service item